



# **HV angle valve, DN 50 ISO-KF, manually operated, 304/FKM, "A"- dim. 70 mm**

**HV angle valve, DN 50 ISO-KF, manually operated, 304/FKM, "A"-  
dim. 70 mm**

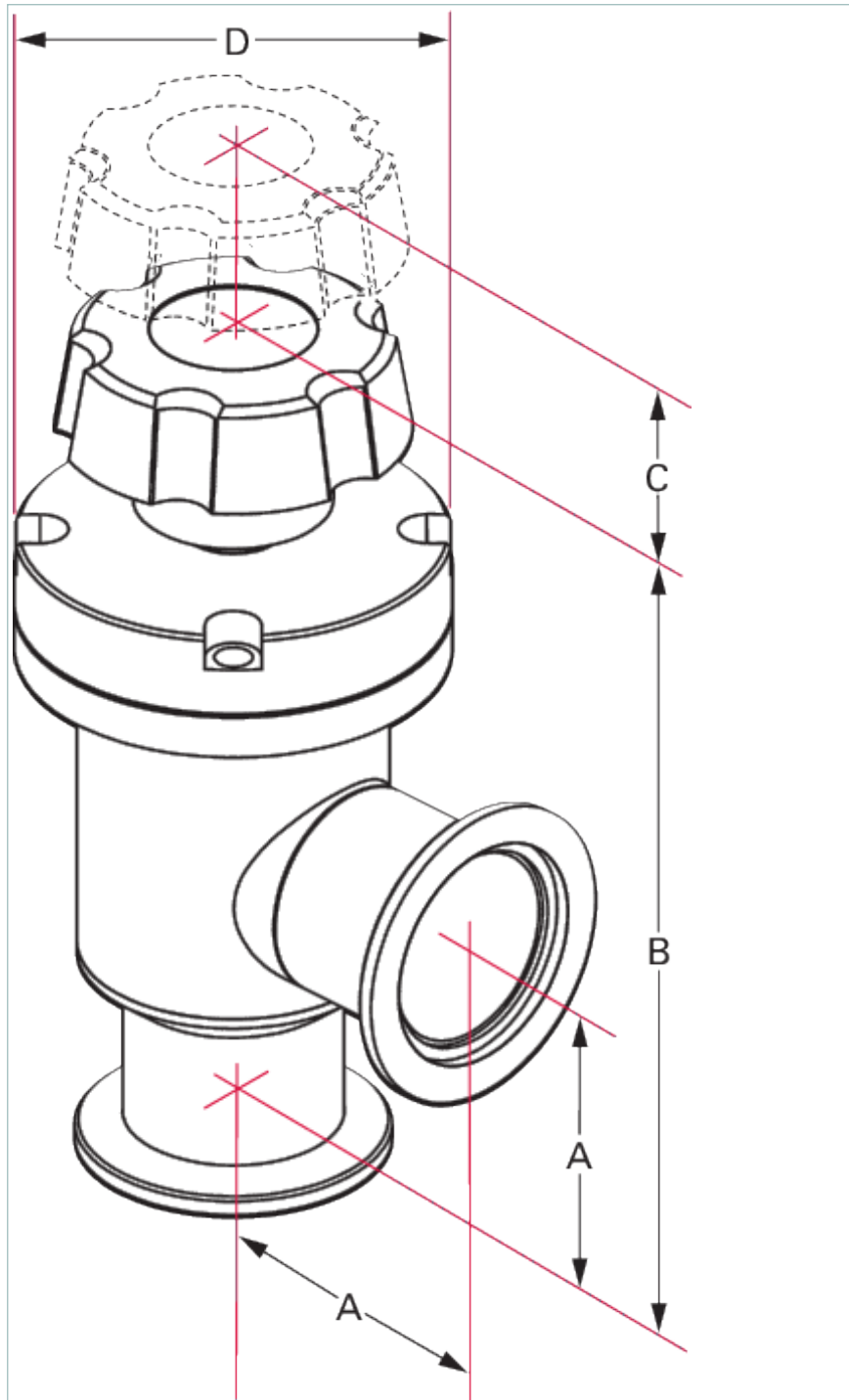


Similar Image

## HV angle valve, DN 50 ISO-KF, manually operated, 304/FKM, "A"-dim. 70 mm

- With elastomer seals for high vacuum operation
- Stainless steel body with welded diaphragm bellows
- Conductance continuously variable with handwheel (multi-turn)
- Fully retracting and opening
- Additional O-ring materials available

### Dimensions



A	70 mm
B	187 mm
C	51 mm
D	89 mm

Technical Data	HV angle valve, DN 50 ISO-KF, manually operated, 304/FKM, "A"-dim. 70 mm
Actuator	Spindle
Bakeout temperature: actuator	60 °C   140 °F   333 K
Bakeout temperature: housing	150 °C   302 °F   423 K
Conductance value with molecular flow	65 l/s
Differential pressure in closing direction	1,400 hPa   1,050 Torr   1,400 mbar
Differential pressure in opening direction	1,400 hPa   1,050 Torr   1,400 mbar
Housing	Stainless steel
Nominal diameter	DN 50 ISO-KF
Operating pressure min.	$1 \cdot 10^{-8}$ hPa   $7.5 \cdot 10^{-9}$ Torr   $1 \cdot 10^{-8}$ mbar
Pressure max. (absolute)	1,000 hPa   750 Torr   1,000 mbar
Seal	FKM
Service life	100000 cycles
Tightness	$1 \cdot 10^{-9}$ mbar l/s
Type	HV Angle valve
Weight	2 kg   4.41 lb

Order number	
HV angle valve	<b>ESV-S05100</b>

## **VACUUM SOLUTIONS FROM A SINGLE SOURCE**

Pfeiffer Vacuum stands for innovative and custom vacuum solutions worldwide, technological perfection, competent advice and reliable service.

## **COMPLETE RANGE OF PRODUCTS**

From a single component to complex systems:

We are the only supplier of vacuum technology that provides a complete product portfolio.

## **COMPETENCE IN THEORY AND PRACTICE**

Benefit from our know-how and our portfolio of training opportunities!

We support you with your plant layout and provide first-class on-site service worldwide.

Are you looking for a  
perfect vacuum solution?  
Please contact us:

**Pfeiffer Vacuum GmbH**  
Headquarters · Germany  
T +49 6441 802-0  
info@pfeiffer-vacuum.de

[www.pfeiffer-vacuum.com](http://www.pfeiffer-vacuum.com)

All data subject to change without prior notice.

**PFEIFFER**  **VACUUM**