



HV angle valve, DN 40 ISO-KF, manually operated, 304/FKM, "A"- dim. 65 mm

**HV angle valve, DN 40 ISO-KF, manually operated, 304/FKM, "A"-
dim. 65 mm**

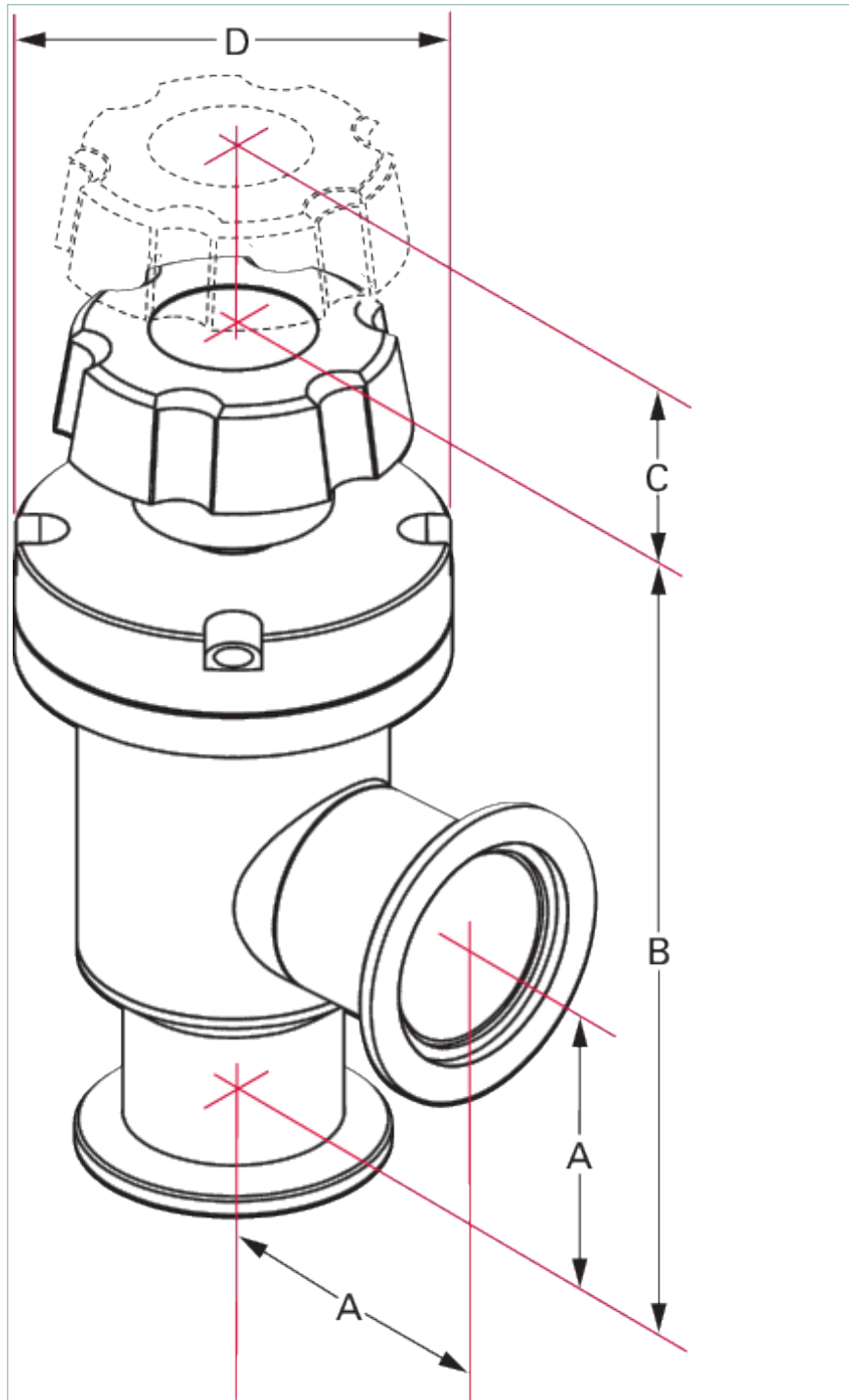


Similar Image

HV angle valve, DN 40 ISO-KF, manually operated, 304/FKM, "A"-dim. 65 mm

- With elastomer seals for high vacuum operation
- Stainless steel body with welded diaphragm bellows
- Conductance continuously variable with handwheel (multi-turn)
- Fully retracting and opening
- Additional O-ring materials available

Dimensions



| | |
|---|--------|
| A | 65 mm |
| B | 150 mm |
| C | 38 mm |
| D | 76 mm |

| Technical Data | HV angle valve, DN 40 ISO-KF, manually operated, 304/FKM, "A"-dim. 65 mm |
|--------------------------------------------|---------------------------------------------------------------------------|
| Actuator | Spindle |
| Bakeout temperature: actuator | 60 °C 140 °F 333 K |
| Bakeout temperature: housing | 150 °C 302 °F 423 K |
| Conductance value with molecular flow | 37 l/s |
| Differential pressure in closing direction | 1,400 hPa 1,050 Torr 1,400 mbar |
| Differential pressure in opening direction | 1,400 hPa 1,050 Torr 1,400 mbar |
| Housing | Stainless steel |
| Nominal diameter | DN 40 ISO-KF |
| Operating pressure min. | $1 \cdot 10^{-8}$ hPa $7.5 \cdot 10^{-9}$ Torr $1 \cdot 10^{-8}$ mbar |
| Pressure max. (absolute) | 1,000 hPa 750 Torr 1,000 mbar |
| Seal | FKM |
| Service life | 100000 cycles |
| Tightness | $1 \cdot 10^{-9}$ mbar l/s |
| Type | HV Angle valve |
| Weight | 1.2 kg 2.65 lb |

| Order number | |
|----------------|-------------------|
| HV angle valve | ESV-S04100 |

VACUUM SOLUTIONS FROM A SINGLE SOURCE

Pfeiffer Vacuum stands for innovative and custom vacuum solutions worldwide, technological perfection, competent advice and reliable service.

COMPLETE RANGE OF PRODUCTS

From a single component to complex systems:

We are the only supplier of vacuum technology that provides a complete product portfolio.

COMPETENCE IN THEORY AND PRACTICE

Benefit from our know-how and our portfolio of training opportunities!

We support you with your plant layout and provide first-class on-site service worldwide.

Are you looking for a
perfect vacuum solution?
Please contact us:

Pfeiffer Vacuum GmbH
Headquarters · Germany
T +49 6441 802-0
info@pfeiffer-vacuum.de

www.pfeiffer-vacuum.com

All data subject to change without prior notice.

PFEIFFER  **VACUUM**