



HV angle valve, DN 16 ISO-KF, manually operated, 304/FKM, "A"- dim. 40 mm

**HV angle valve, DN 16 ISO-KF, manually operated, 304/FKM, "A"-
dim. 40 mm**

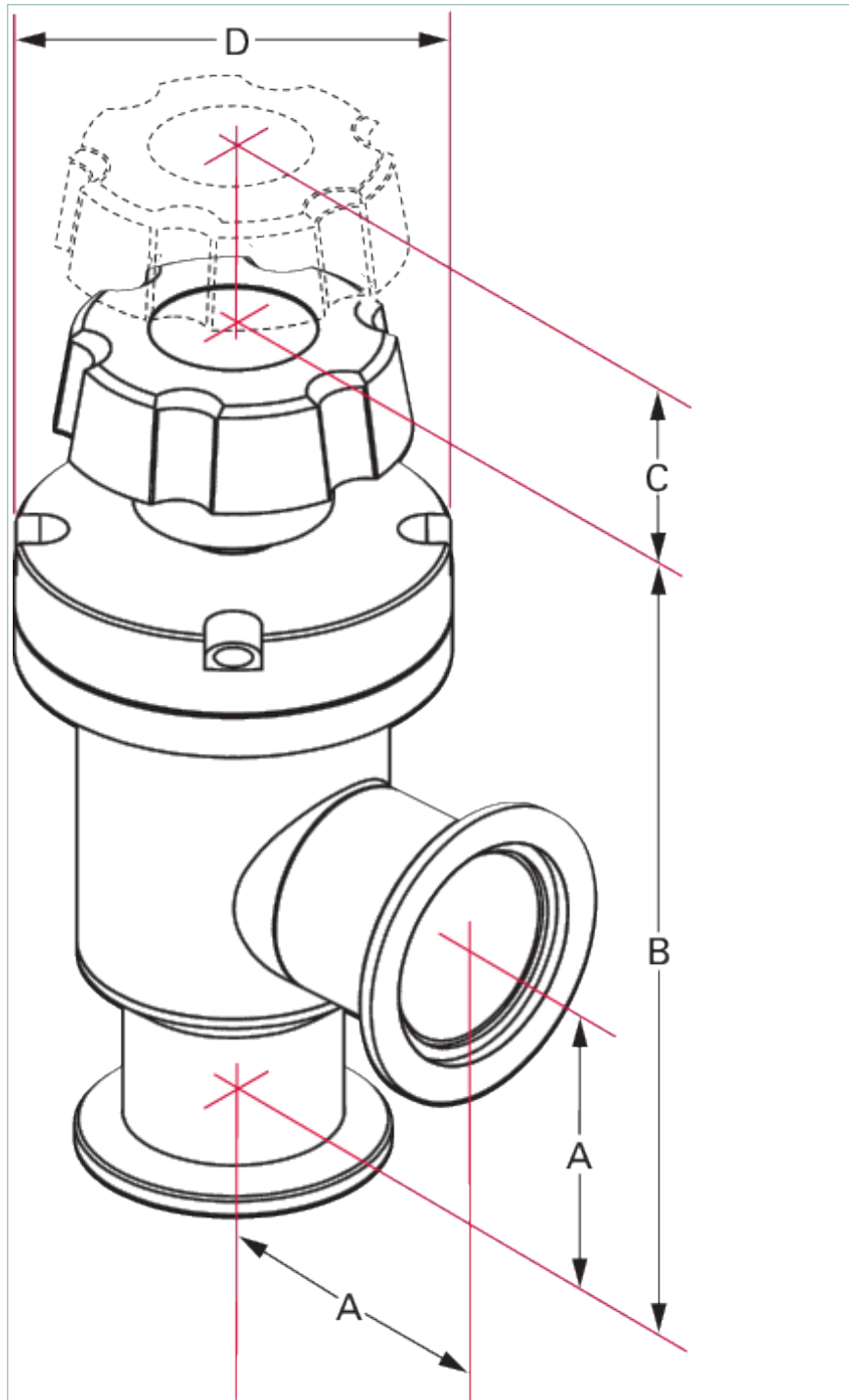


Similar Image

HV angle valve, DN 16 ISO-KF, manually operated, 304/FKM, "A"-dim. 40 mm

- With elastomer seals for high vacuum operation
- Stainless steel body with welded diaphragm bellows
- Conductance continuously variable with handwheel (multi-turn)
- Fully retracting and opening
- Additional O-ring materials available

Dimensions



A	40 mm
B	105 mm
C	19 mm
D	57 mm

Technical Data	HV angle valve, DN 16 ISO-KF, manually operated, 304/FKM, "A"-dim. 40 mm
Actuator	Spindle
Bakeout temperature: actuator	60 °C 140 °F 333 K
Bakeout temperature: housing	150 °C 302 °F 423 K
Conductance value with molecular flow	5 l/s
Differential pressure in closing direction	1,400 hPa 1,050 Torr 1,400 mbar
Differential pressure in opening direction	1,400 hPa 1,050 Torr 1,400 mbar
Housing	Stainless steel
Nominal diameter	DN 16 ISO-KF
Operating pressure min.	$1 \cdot 10^{-8}$ hPa $7.5 \cdot 10^{-9}$ Torr $1 \cdot 10^{-8}$ mbar
Pressure max. (absolute)	1,000 hPa 750 Torr 1,000 mbar
Seal	FKM
Service life	100000 cycles
Tightness	$1 \cdot 10^{-9}$ mbar l/s
Type	HV Angle valve
Weight	0.8 kg 1.76 lb

Order number	
HV angle valve	ESV-S02100

VACUUM SOLUTIONS FROM A SINGLE SOURCE

Pfeiffer Vacuum stands for innovative and custom vacuum solutions worldwide, technological perfection, competent advice and reliable service.

COMPLETE RANGE OF PRODUCTS

From a single component to complex systems:

We are the only supplier of vacuum technology that provides a complete product portfolio.

COMPETENCE IN THEORY AND PRACTICE

Benefit from our know-how and our portfolio of training opportunities!

We support you with your plant layout and provide first-class on-site service worldwide.

Are you looking for a
perfect vacuum solution?
Please contact us:

Pfeiffer Vacuum GmbH
Headquarters · Germany
T +49 6441 802-0
info@pfeiffer-vacuum.de

www.pfeiffer-vacuum.com

All data subject to change without prior notice.

PFEIFFER  **VACUUM**