



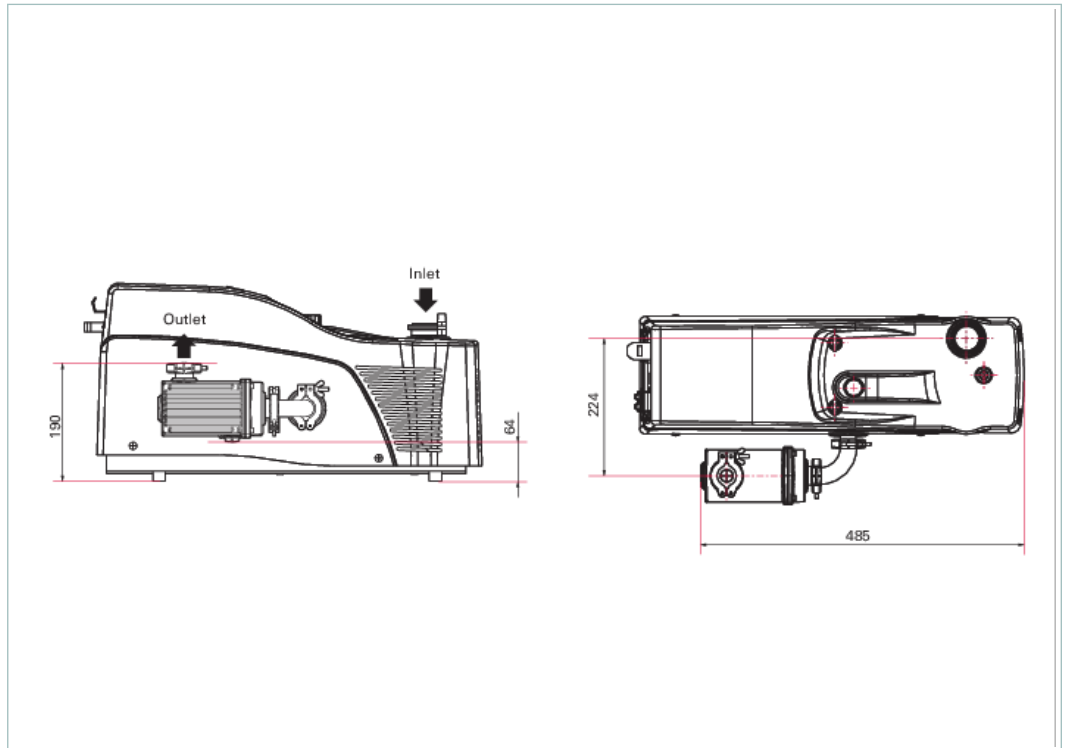
# ACP 28, CV version, single-phase, manual gas ballast



Similar Image

## ACP 28, CV version, single-phase, manual gas ballast

### Dimensions



Technical Data	ACP 28, CV version, single-phase, manual gas ballast
Ambient temperature	12-40 °C   53.6-104 °F   285-313 K
Connection flange (in)	DN 25 ISO-KF
Connection flange (out)	DN 25 ISO-KF
Continuous inlet pressure, max.	1,013 hPa   759.75 Torr   1,013 mbar
Cooling method	Air
Corrosive gas version	Yes (light load)
Dimensions (L x W x H)	647 x 308 x 322 mm   25.47 x 12.13 x 12.68 inch
Exhaust pressure, max.	1,200 hPa   900 Torr   1,200 mbar
Final pressure with gas ballast	$3 \cdot 10^{-1}$ hPa   $2.25 \cdot 10^{-1}$ Torr   $3 \cdot 10^{-1}$ mbar
Final pressure without gas ballast	$4 \cdot 10^{-2}$ hPa   $3 \cdot 10^{-2}$ Torr   $4 \cdot 10^{-2}$ mbar
Gas ballast	Yes
Gas ballast flow	2.4 m <sup>3</sup> /h   1.41 cfm   40 l/min
Helium leakage rate, max.	$5 \cdot 10^{-7}$ hPa·l/s
Mains cable	Yes, EU mains cable
Mains connection	110 – 230 V AC (±10%) 50/60 Hz
Mains connection: frequency (range)	50/60 Hz
Max. pumping capacity of pure water vapor at 20°C	700 g/h
Motor type	1-ph motor
N <sub>2</sub> sealing gas flow	40 slpm (0 °C)
Power consumption at final pressure	700 W
Processes	Light Duty Applications
Pumping speed	27 m <sup>3</sup> /h   15.89 cfm   450 l/min

<b>Technical Data</b>		<b>ACP 28, CV version, single-phase, manual gas ballast</b>
Sound pressure level		65 dB(A)
Version		For condensable vapors
Weight		30 kg   66.14 lb

<b>Order number</b>	
ACP 28, CV version	<b>V6GVTSGEVF</b>

<b>Accessories</b>	
<b>Connections Connection kits for mounting of pumps</b>	
Connection kit for mounting pumps, DN 25 ISO-KF	<b>120SWS025-1000</b>
<b>ISO-KF, welded bellows sealed</b>	
HV angle valve, DN 25 ISO-KF, manually operated, 304/FKM, "A"-dim. 50 mm	<b>ESV-S03100</b>
<b>Monitoring Pressure Sensors</b>	
OmniControl 200 with TPR 270	<b>PT 440 950 -T</b>
<b>Noise Reduction Exhaust silencers</b>	
External silencer ES 25 S, DN 25	<b>109873</b>
<b>Protection Dust separators/Inlet particle filters</b>	
Inlet particle filter IPF 25, DN 25	<b>111649</b>
<b>Valves Isolation valves</b>	
AVC 025 PA, angle valve, electro-pneumatic, with PI, with PV, PV 24 V DC	<b>PF A48 204</b>

## **VACUUM SOLUTIONS FROM A SINGLE SOURCE**

Pfeiffer Vacuum stands for innovative and custom vacuum solutions worldwide, technological perfection, competent advice and reliable service.

## **COMPLETE RANGE OF PRODUCTS**

From a single component to complex systems:

We are the only supplier of vacuum technology that provides a complete product portfolio.

## **COMPETENCE IN THEORY AND PRACTICE**

Benefit from our know-how and our portfolio of training opportunities!

We support you with your plant layout and provide first-class on-site service worldwide.

Are you looking for a  
perfect vacuum solution?  
Please contact us:

**Pfeiffer Vacuum GmbH**  
Headquarters · Germany  
T +49 6441 802-0  
info@pfeiffer-vacuum.de

[www.pfeiffer-vacuum.com](http://www.pfeiffer-vacuum.com)

All data subject to change without prior notice.

**PFEIFFER**  **VACUUM**