



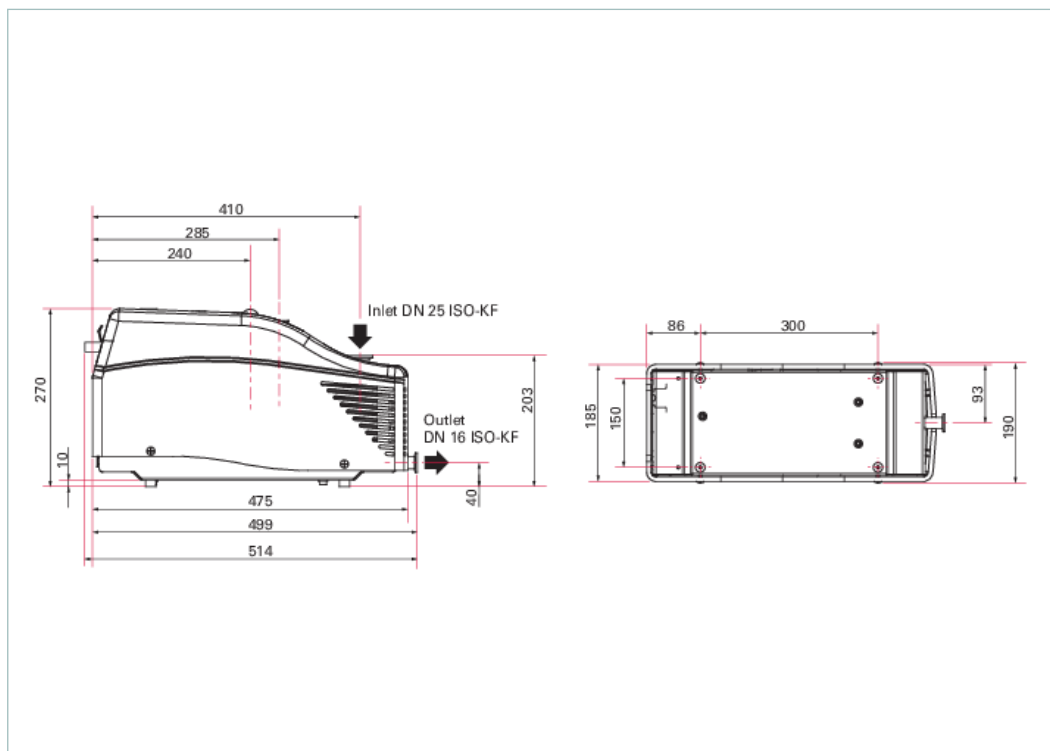
**ACP 15, G version, single-phase,
purge port R 1/4"**

ACP 15, G version, single-phase, purge port R 1/4"



Similar Image

Dimensions



Technical Data	ACP 15, G version, single-phase, purge port R 1/4"
Ambient temperature	12-40 °C 53.6-104 °F 285-313 K
Connection flange (in)	DN 25 ISO-KF
Connection flange (out)	DN 16 ISO-KF
Continuous inlet pressure, max.	1,013 hPa 759.75 Torr 1,013 mbar
Cooling method	Air
Corrosive gas version	Yes (light load)
Dimensions (L x W x H)	514 x 190 x 270 mm 20.24 x 7.48 x 10.63 inch
Exhaust pressure, max.	1,200 hPa 900 Torr 1,200 mbar
Final pressure without gas ballast	$5 \cdot 10^{-2}$ hPa $3.75 \cdot 10^{-2}$ Torr $5 \cdot 10^{-2}$ mbar
Gas ballast	No
Helium leakage rate, max.	$5 \cdot 10^{-8}$ hPa·l/s
Mains cable	Yes, EU mains cable
Mains connection	110 – 230 V AC (±10%) 50/60 Hz
Motor type	1-ph motor
N ₂ sealing gas flow	5 slpm (0 °C)
Power consumption at final pressure	450 W
Processes	Light Duty Applications
Pumping speed	14 m ³ /h 8.24 cfm 233.33 l/min
Sound pressure level	63 dB(A)
Version	Corrosive gas version
Weight	23 kg 50.71 lb

Order number	
ACP 15, G version	V5GATSRGEF

Accessories	
Connections Connection kits for mounting of pumps	
Connection kit for mounting pumps, DN 25 ISO-KF	120SWS025-1000
ISO-KF, welded bellows sealed	
HV angle valve, DN 25 ISO-KF, manually operated, 304/FKM, "A"-dim. 50 mm	ESV-S03100
Monitoring Pressure Sensors	
OmniControl 200 with TPR 270	PT 440 950 -T
Noise Reduction Exhaust silencers	
External silencer ES 25 S, DN 25	109873
Noise Reduction Noise reduction covers	
Noise reduction cover NRC 15, for ACP 15 pumps	111968
Sound enclosure kit SEK 15, for ACP 15 pumps	122480
Protection Dust separators/Inlet particle filters	
Inlet particle filter IPF 25, DN 25	111649
Valves Isolation valves	
AVC 025 PA, angle valve, electro-pneumatic, with PI, with PV, PV 24 V DC	PF A48 204

VACUUM SOLUTIONS FROM A SINGLE SOURCE

Pfeiffer Vacuum stands for innovative and custom vacuum solutions worldwide, technological perfection, competent advice and reliable service.

COMPLETE RANGE OF PRODUCTS

From a single component to complex systems:

We are the only supplier of vacuum technology that provides a complete product portfolio.

COMPETENCE IN THEORY AND PRACTICE

Benefit from our know-how and our portfolio of training opportunities!

We support you with your plant layout and provide first-class on-site service worldwide.

Are you looking for a
perfect vacuum solution?
Please contact us:

Pfeiffer Vacuum GmbH
Headquarters · Germany
T +49 6441 802-0
info@pfeiffer-vacuum.de

www.pfeiffer-vacuum.com

All data subject to change without prior notice.

PFEIFFER  **VACUUM**