

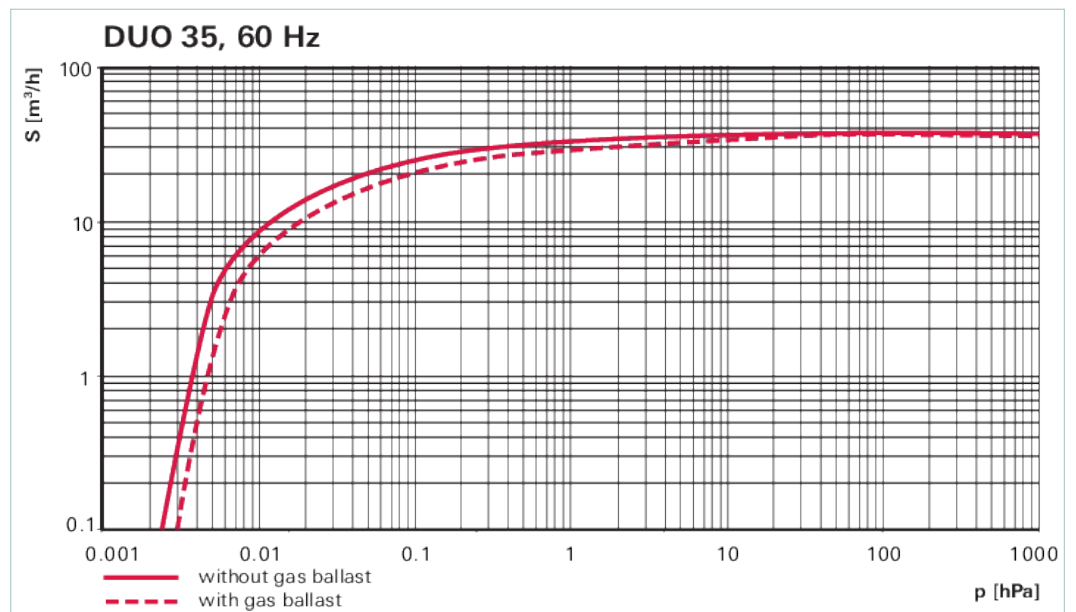
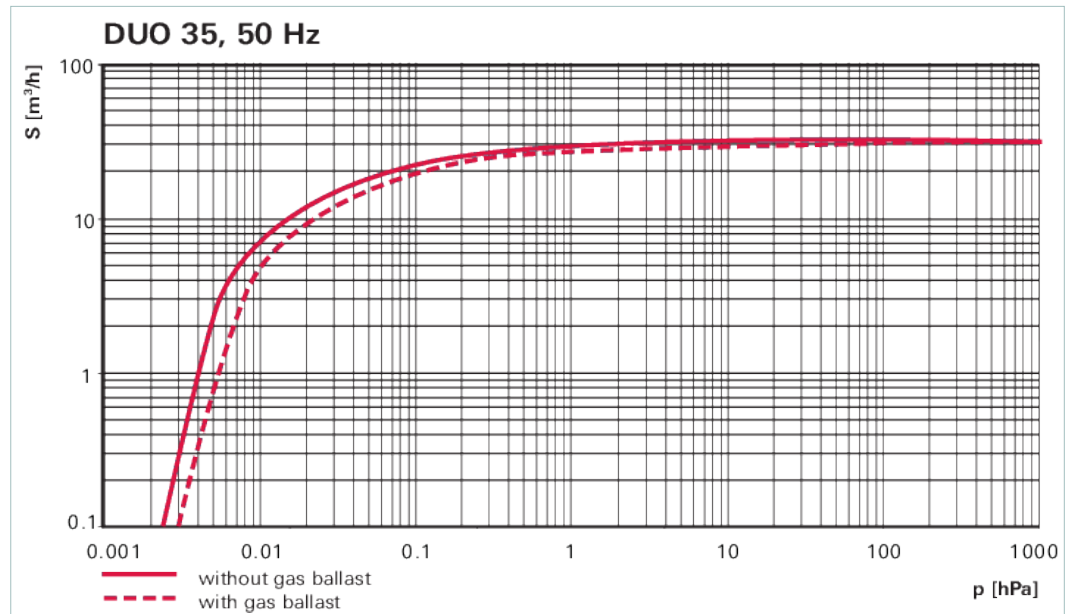
**Duo 35, 3-phase motor, 3TF,
230/400 V, 50 Hz | 265/460 V, 60 Hz**



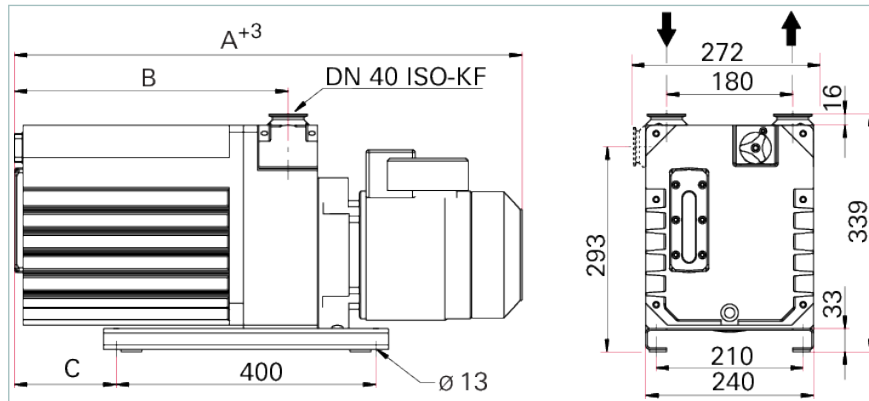
Similar Image

Duo 35, 3-phase motor, 3TF, 230/400 V, 50 Hz | 265/460 V, 60 Hz

- Dual-stage, high-performance rotary vane pump with a pumping speed up to 36 m³/h
- With 3-phase motor
- With temperature sensor (3TF) for optimum motor protection
- Integrated gas ballast and HV safety valve
- For all low and medium vacuum applications
- Special feature: Various motor voltages for worldwide employment
- Other motor voltages available on request



Dimensions



A	645 mm
B	312 mm
C	66 mm

Technical Data	Duo 35, 3-phase motor, 3TF, 230/400 V, 50 Hz 265/460 V, 60 Hz
Connection flange (in)	DN 40 ISO-KF
Connection flange (out)	DN 40 ISO-KF
Pumping speed at 50 Hz	32 m ³ /h 18.84 cfm 533.33 l/min
Pumping speed at 60 Hz	36 m ³ /h 21.19 cfm 600 l/min
Final pressure with gas ballast	3 · 10 ⁻³ hPa 2.25 · 10 ⁻³ Torr 3 · 10 ⁻³ mbar
Final pressure without gas ballast	2 · 10 ⁻³ hPa 1.5 · 10 ⁻³ Torr 2 · 10 ⁻³ mbar
Exhaust pressure, min.	Atmospheric pressure
Exhaust pressure, max.	1,500 hPa 1,125 Torr 1,500 mbar
Rotation speed at 50 Hz	1,500 rpm 1,500 min ⁻¹
Rotation speed at 60 Hz	1,800 rpm 1,800 min ⁻¹
Sealing gas	false
Cooling method	Air
Motor protection	3TF
Motor type	3-ph motor
Ambient temperature	12-40 °C 53.6-104 °F 285-313 K
Weight: with motor	68 kg 149.91 lb
Emission sound pressure level without gas ballast at 50 Hz	61 dB(A)
Switch	No
Mains connection: voltage (range)	±5 %
Mains connection: voltage 50 Hz	230/400 V
Mains connection: voltage 60 Hz	265/460 V
Mains cable	No
Gas ballast	Yes
Operating fluid	P3
Operating fluid amount	3.2 l
Leakage rate safety valve	1 · 10 ⁻⁵ Pa m ³ /s 7.5 · 10 ⁻⁵ Torr l/s 1 · 10 ⁻⁴ mbar l/s
Dimensions (L x W x H)	645 x 240 x 340 mm 25.39 x 9.45 x 13.39 inch
Rated power 50 Hz	1.1 kW
Rated power 60 Hz	1.3 kW
Protection degree	IP55

Order number

Duo 35

PK D45 602

Accessories	
Connections Adapters for OktaLine to Rotary Vane Pumps	
Adapter Uno/Duo 35/65 for Okta 250	PK 223 787 -T
Adapter Uno/Duo 35/65 for Okta 300/500/600/800/1000	PK 224 629 -T
Connections Connection kits for mounting of pumps	
Connection kit for mounting pumps, DN 40 ISO-KF	120SWS040-1000
Flanges/Ports Blank flanges	
Blank flange gas ballast valve with O-ring and screws	PK 223 797 -T
ISO-KF, welded bellows sealed	
HV angle valve, DN 40 ISO-KF, manually operated, 304/FKM, "A"-dim. 65 mm	ESV-S04100
Monitoring Operations monitoring units	
Operations monitoring unit 1 for Duo 35/65	PK 223 718 AU
Operations monitoring unit 3 for Duo 35/65, Duo 125/255	PK 223 739 AU
Monitoring Pressure Sensors	
OmniControl 200 with TPR 270	PT 440 950 -T
Monitoring Pressure switches	
Oil pressure switch for Duo 35/65 Duo 35/65 MC	PK 223 720 -U
Oil pressure switch for Duo 35/65 with OFC/OFM	PK 223 741 -U
Protection Activated carbon filters	
FAK 040, activated carbon filter	PK Z30 008
Protection Catalyzer traps	
URB 040, catalytic trap, 230 V	PT U10 260
URB 040, catalytic trap, 115 V	PT U10 261
Protection Cold traps	
Cold Trap, LN ₂ , angled, DN 40 ISO-KF, 6" body, stainless steel / FPM	FTNA-6-1502-NWB
Protection Condensate separators	
KAS 40, condensate separator for pumping speeds up to 120 m ³ /h	PK Z10 008
Protection Dust separators/Inlet particle filters	
SAS 40, dust separator, DN 40 ISO-KF	PK Z60 510
Protection Flushing devices	
Gas flushing device for Duo 35 and Duo 65	PK 007 300 -T
Protection Motor protection	
PTC-resistor tripping device for motor protection 220 – 240 V AC	P 4768 052 FQ
Protection Oil filters	
OFC 35/65, chemical oil filter	PK Z90 320
External oil filter DE 1, 110 V	068991
External oil filter DE 1, 230 V, 50 Hz	068990
External oil filter DE 2, 110 V, 50 Hz/60 Hz	104375
External oil filter DE 2, 230 V, 50 Hz	104374
Protection Oil mist eliminators	
OME 40 M, oil mist separator for Duo 35/65, Duo 35/65 M	PK Z40 150
OME 40 MR, oil mist separator with oil return to pump for Duo 35/65, Duo 35/65 M	PK Z40 151
Oil mist separator OME 40 S	104887

Accessories	
Protection Oil return units from oil mist eliminators	
Oil return unit ODK from OME 40 M/C to Duo 35/65	PK 005 950 -T
Protection Soft starters	
Soft starter 3.6 A	P 4769 001
Soft starter 6.5 A	P 4769 003
Soft starter 9 A	P 4769 004
Protection Sorption traps, corrosive version	
Sorption trap ST 40, 115 V (without Adsorbed Charge)	104371
Sorption trap ST 40, 230 V (without Adsorbed Charge)	053380
Valves Gas ballast conversion kits	
Gas ballast valve conversion kit with hose nozzle	PK 223 713 -U
Valves Gas ballast valves, magnetic	
Gas ballast valve - conversion kit in corrosive gas version, including 24 V DC solenoid valve	PK 223 717 -U
Valves Isolation valves	
AVC 040 PA, angle valve, electro-pneumatic, with PI, with PV, PV 24 V DC	PF A58 204
Consumables	
P3, mineral oil, 1 l	PK 001 106 -T
P3, mineral oil, 5 l	PK 001 107 -T
P3, mineral oil, 20 l	PK 001 108 -T
D1, synthetic diester based oil, 1 l	PK 005 875 -T
D1, synthetic diester based oil, 5 l	PK 005 876 -T
D1, synthetic diester based oil, 20 l	PK 005 877 -T

VACUUM SOLUTIONS FROM A SINGLE SOURCE

Pfeiffer Vacuum stands for innovative and custom vacuum solutions worldwide, technological perfection, competent advice and reliable service.

COMPLETE RANGE OF PRODUCTS

From a single component to complex systems:

We are the only supplier of vacuum technology that provides a complete product portfolio.

COMPETENCE IN THEORY AND PRACTICE

Benefit from our know-how and our portfolio of training opportunities!

We support you with your plant layout and provide first-class on-site service worldwide.

Are you looking for a
perfect vacuum solution?
Please contact us:

Pfeiffer Vacuum GmbH
Headquarters · Germany
T +49 6441 802-0
info@pfeiffer-vacuum.de

www.pfeiffer-vacuum.com

All data subject to change without prior notice.

PFEIFFER  **VACUUM**