

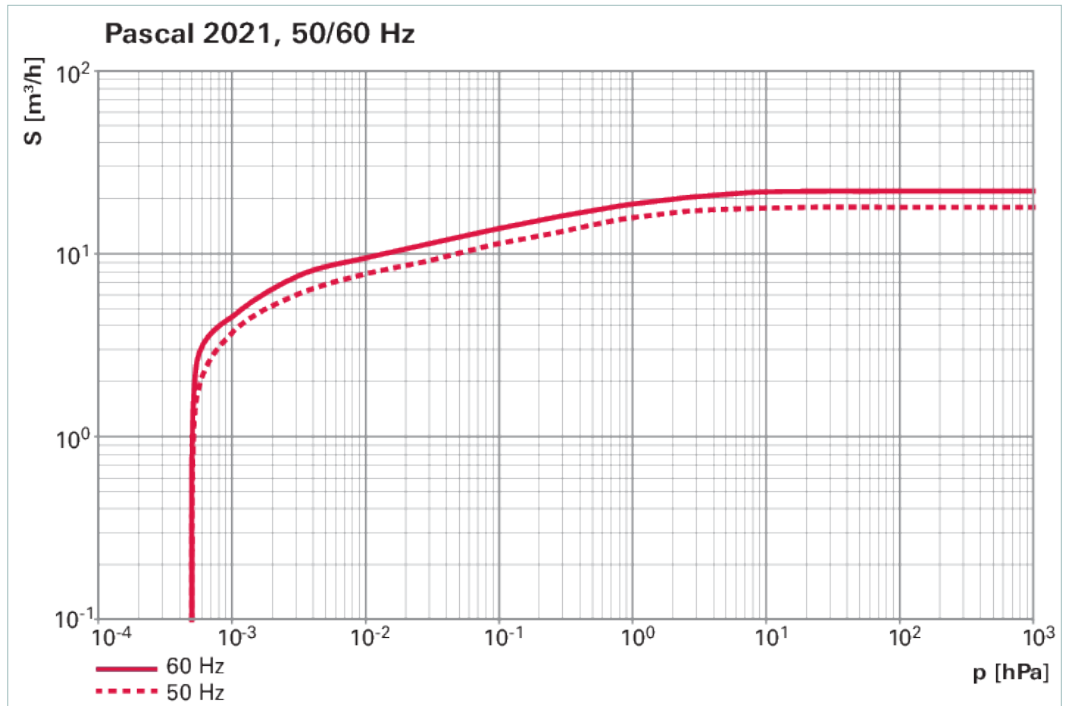
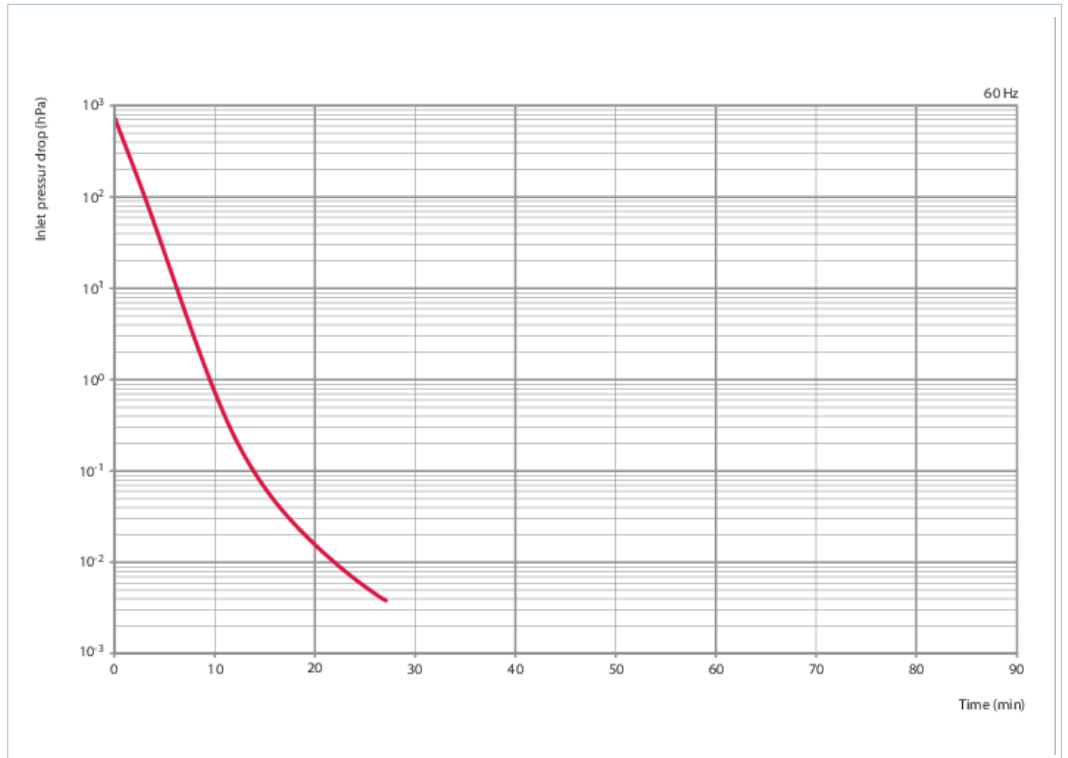


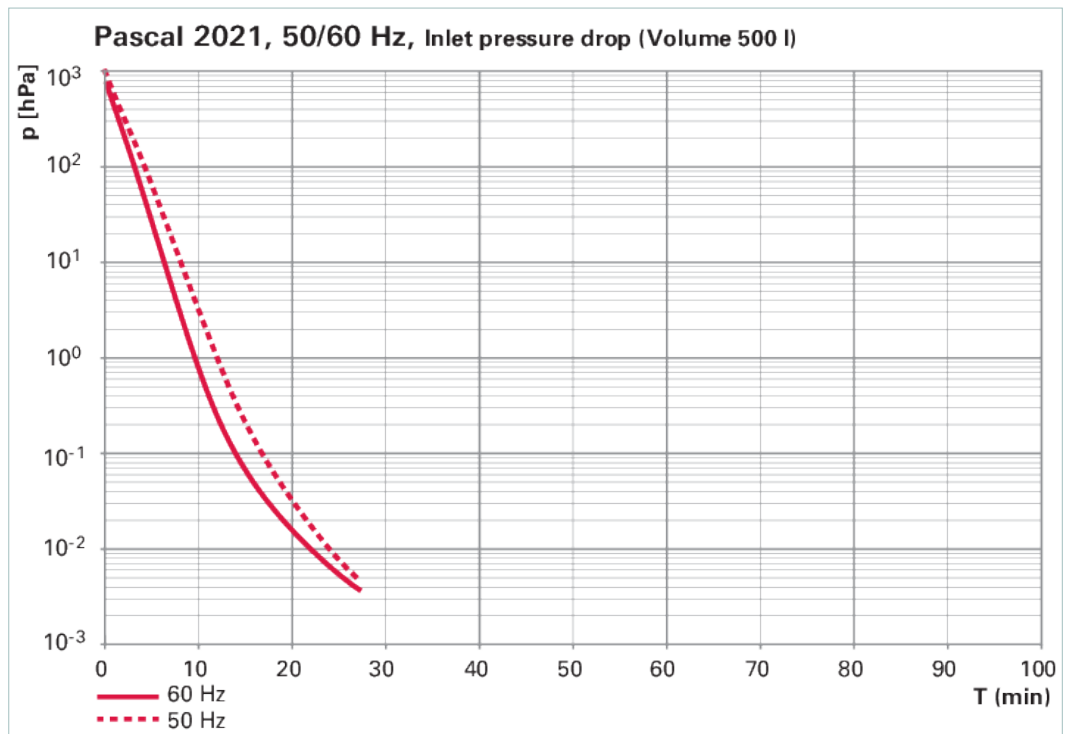
# Pascal 2011, SD version, 1-Phase motor, 90–132 V, 50 Hz/60 Hz, CE/UL/CSA



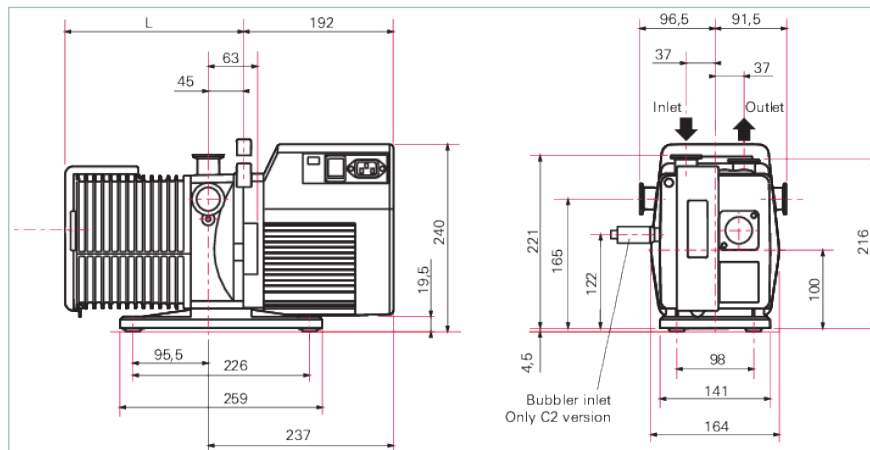
Similar Image

**Pascal 2021, SD version, 1-Phase motor, 90–132 V, 50 Hz/60 Hz, CE/UL/CSA**





**Dimensions**



L 291 mm

| Technical Data                     | Pascal 2021, SD version, 1-Phase motor, 90–132 V, 50 Hz/60 Hz, CE/UL/CSA            |
|------------------------------------|---|
| Connection flange (in)             | DN 25 ISO-KF  |
| Connection flange (out)            | DN 25 ISO-KF  |
| Pumping speed at 50 Hz             | 18 m <sup>3</sup> /h   10.59 cfm   300 l/min  |
| Pumping speed at 60 Hz             | 22 m <sup>3</sup> /h   12.95 cfm   366.67 l/min                                     |
| Final pressure                     | 5 · 10 <sup>-4</sup> hPa   3.75 · 10 <sup>-4</sup> Torr   5 · 10 <sup>-4</sup> mbar |
| Final pressure with gas ballast    | 1 · 10 <sup>-2</sup> hPa   7.5 · 10 <sup>-3</sup> Torr   1 · 10 <sup>-2</sup> mbar  |
| Final pressure without gas ballast | 5 · 10 <sup>-4</sup> hPa   3.75 · 10 <sup>-4</sup> Torr   5 · 10 <sup>-4</sup> mbar |
| Motor type                         | 1-ph motor  |
| Mains connection: voltage 50 Hz    | 90 – 132 V  |
| Mains connection: voltage 60 Hz    | 90 – 132 V  |
| Mains cable                        | Yes, US mains cable   |
| Operating fluid                    | Mineral oil   |
| Rated power 50 Hz                  | 0.45 kW   |
| Rated power 60 Hz                  | 0.55 kW   |
| Protection degree                  | IP43  |

|                         |   |
|-------------------------|---|
| <b>Technical Data</b>   | <b>Pascal 2021, SD version, 1-Phase motor,<br/>90–132 V, 50 Hz/60 Hz, CE/UL/CSA</b> |
| Weight                  | 28 kg   61.73 lb  |
| <b>Order number</b>     |   |
| Pascal 2021, SD Version | <b>221SDMLAM</b>  |

| <b>Accessories</b>   |                        |
|--|------------------------|
| <b>Connections Connection kits for mounting of pumps</b>                           |                        |
| Connection kit for mounting pumps, DN 25 ISO-KF                                    | <b>120SWS025-1000</b>  |
| <b>ISO-KF, welded bellows sealed</b>   |                        |
| HV angle valve, DN 25 ISO-KF, manually operated, 304/FKM, "A"-dim. 50 mm           | <b>ESV-S03100</b>      |
| <b>Monitoring Oil/Operating fluid level monitoring</b>                             |                        |
| Oil level switch OLS 4   | <b>104376</b>          |
| <b>Monitoring Pressure Sensors</b>   |                        |
| OmniControl 200 with TPR 270   | <b>PT 440 950 -T</b>   |
| <b>Protection Catalyzer traps</b>  |                        |
| URB 025, catalytic trap, 230 V   | <b>PT U10 760</b>      |
| URB 025, catalytic trap, 115 V   | <b>PT U10 761</b>      |
| <b>Protection Cold traps</b>   |                        |
| Cold Trap, LN2, angled, DN 25 ISO-KF, 4" body, stainless steel / FPM               | <b>FTNA-4-1002-NWB</b> |
| <b>Protection Condensate separators</b>  |                        |
| KAS 25 L, condensate separator for pumping speeds up to 35 m <sup>3</sup> /h       | <b>PK Z10 033</b>      |
| <b>Protection Dust separators/Inlet particle filters</b>                           |                        |
| SAS 25, dust separator, DN 25 ISO-KF   | <b>PK Z60 508</b>      |
| <b>Protection Oil mist eliminators</b>   |                        |
| Oil mist separator OME 25 S  | <b>104200</b>          |
| OME 25 ML, oil mist separator for pumping speeds of up to 30 m <sup>3</sup> /h     | <b>PK Z40 158</b>      |
| <b>Protection Oil return units from oil mist eliminators</b>                       |                        |
| Oil return unit ODK1 from oil mist separator                                       | <b>104360</b>          |
| Oil return unit ODK 2 from OME 25, solenoid valve 230 V 50/60 Hz, Pascal 2005–2021 | <b>104361</b>          |
| Oil return unit ODK 2 from OME 25, Pascal 2005–2021, solenoid valve 115 V, 60 Hz   | <b>104362</b>          |
| Oil return unit ODK 2 from OME 25, Pascal 2002–2021                                | <b>104364</b>          |
| Oil return unit ODK 2 from OME 25, Pascal 2005–2021, solenoid valve 24 V DC        | <b>104365</b>          |
| <b>Protection Sorption traps</b>   |                        |
| Sorption trap ST 25 S  | <b>104107</b>          |
| <b>Valves Gas ballast valves, magnetic</b>   |                        |
| Automatic gas ballast AGB 4, 230 V, 50/60 Hz                                       | <b>104086</b>          |
| Automatic gas ballast AGB 4, 115 V   | <b>104087</b>          |
| Automatic gas ballast AGB 4, 24 VDC  | <b>104089</b>          |
| Automatic gas ballast AGB 4, 200 V, 50/60 Hz                                       | <b>104366</b>          |
| <b>Valves Isolation valves</b>   |                        |
| AVC 025 PA, angle valve, electro-pneumatic, with PI, with PV, PV 24 V DC           | <b>PF A48 204</b>      |
| <b>Consumables</b>   |                        |
| A120, hydrocarbon oil, 2 L   | <b>068099</b>          |
| A111, mineral oil, 2 L   | <b>064655</b>          |
| A102, hydrocarbon oil, 2 L   | <b>010996</b>          |
| A119, hydrocarbon oil, 1 L   | <b>103855</b>          |
| A121, hydrocarbon oil, 1 L   | <b>102724</b>          |
| D1, synthetic diester based oil, 1 l   | <b>PK 005 875 -T</b>   |

## **VACUUM SOLUTIONS FROM A SINGLE SOURCE**

Pfeiffer Vacuum stands for innovative and custom vacuum solutions worldwide, technological perfection, competent advice and reliable service.

## **COMPLETE RANGE OF PRODUCTS**

From a single component to complex systems:

We are the only supplier of vacuum technology that provides a complete product portfolio.

## **COMPETENCE IN THEORY AND PRACTICE**

Benefit from our know-how and our portfolio of training opportunities!

We support you with your plant layout and provide first-class on-site service worldwide.

Are you looking for a  
perfect vacuum solution?  
Please contact us:

**Pfeiffer Vacuum GmbH**  
Headquarters · Germany  
T +49 6441 802-0  
info@pfeiffer-vacuum.de

[www.pfeiffer-vacuum.com](http://www.pfeiffer-vacuum.com)

All data subject to change without prior notice.

**PFEIFFER**  **VACUUM**