



HPT 200, DN 25 ISO-KF, RS-485

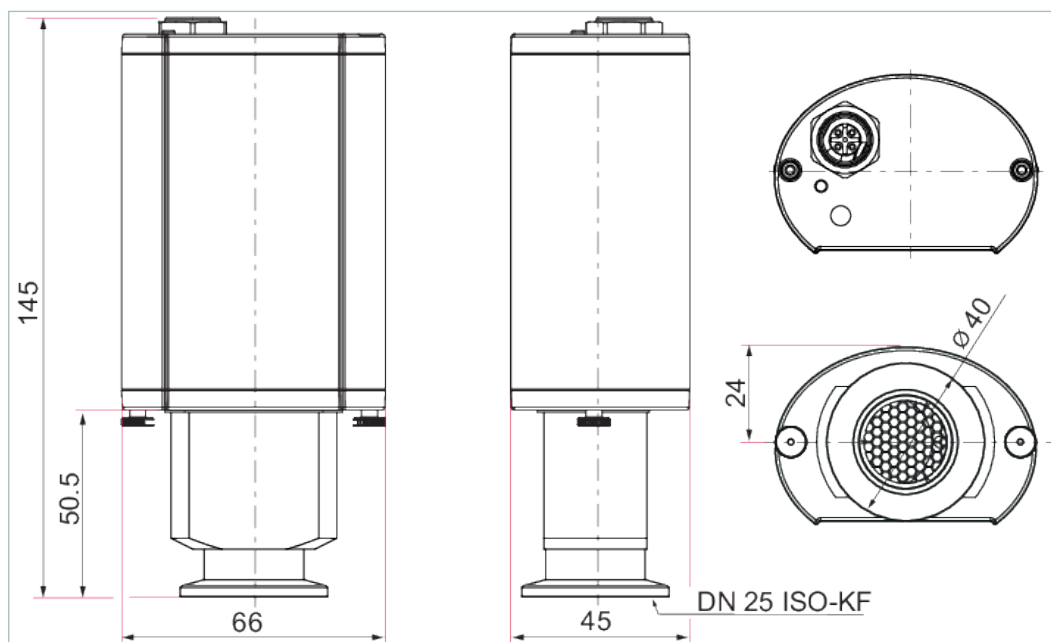


Similar Image

HPT 200, DN 25 ISO-KF, RS-485

- $5 \cdot 10^{-10}$ – 1000 hPa
- Combination of two sensors
- RS-485

Dimensions



Technical Data	HPT 200, DN 25 ISO-KF, RS-485
Ambient temperature	5-60 °C 41-140 °F 278-333 K
Bakeout temperature at the flange	180 °C 356 °F 453 K
Filament	Iridium coated with Y_2O_3
I/O interfaces	RS-485
Materials in contact with media	Tungsten, stainless steel, nickel, glasses, ceramics
Measurement cable length	100 m
Measuring cycle	10 ms
Measuring method	Pirani/Bayard-Alpert
Measuring range	$5 \cdot 10^{-10}$ – $1 \cdot 10^3$ hPa
Nominal diameter	DN 25 ISO-KF
Number of filaments	2
Precision: $1 \cdot 10^{-8}$ – 10 hPa	± 10 %
Precision: 10 – 1000 hPa	± 30 %
Pressure max.	4,000 hPa 3,000 Torr 4,000 mbar
Protection degree	IP54
Repeatability: $1 \cdot 10^{-2}$ – 10 hPa	± 2 %
Repeatability: $1 \cdot 10^{-8}$ – $1 \cdot 10^{-2}$ hPa	± 5 %
Seal	Metal
Supply: consumption max.	9 W
Supply: power consumption	9 W
Supply: Voltage V DC	24 V DC
Temperature: Storage	-40-60 °C -40-140 °F 233-333 K
Weight	475 g

Order number	
HPT 200, DN 25 ISO-KF	PT R39 140

Accessories	
Adapters (electrical) Adapter Cables	
Connection cable, RS-485, M12/D-sub 9-pin, 3 m	PT 348 223 -T
Adapters (electrical) Adapter Measurement	
Adapter RS-485, M12, 4-pin - D-sub socket, 9-pin, 0.2 m	PT 348 133 -T
Adapters (electrical) RS-232/485	
Terminal resistor for RS-485	PT 348 105 -T
Coupling M12 for RS-485	PM 061 270 -X
Power separator for RS-485	PT 348 132 -T
USB RS-485 converter	PM 061 207 -T
Y-connector M12 for RS-485	P 4723 010
Plug M12 m 4-pin with screw clamps for DigiLine RS-485, for customer-specific cables	PT 348 106 -T
Cables Connection cables	
Mains power supply DigiLine, M12, 4-pin to TPS, 3 m	PT 348 163 -T
Cables RS-485 Interface cables	
Interface cable, M12 m straight / M12 m straight, 3 m	PM 061 283 -T
Control Devices Power supplies and control displays	
TPS 111, power supply pack 19" plug-in unit 3HU	PM 061 344 -T
TPS 110, power supply pack for wall/standard rail installation	PM 061 340 -T
Protection Inlet filters	
Centering ring with sintered metal filter, 20 µm pore size, FKM/stainless steel, DN 25 ISO-KF	PF 117 225 -T
Software Display & Data logging	
DokuStar Plus software, 16 channels	PT 882 501

VACUUM SOLUTIONS FROM A SINGLE SOURCE

Pfeiffer Vacuum stands for innovative and custom vacuum solutions worldwide, technological perfection, competent advice and reliable service.

COMPLETE RANGE OF PRODUCTS

From a single component to complex systems:

We are the only supplier of vacuum technology that provides a complete product portfolio.

COMPETENCE IN THEORY AND PRACTICE

Benefit from our know-how and our portfolio of training opportunities!

We support you with your plant layout and provide first-class on-site service worldwide.

Are you looking for a
perfect vacuum solution?
Please contact us:

Pfeiffer Vacuum GmbH
Headquarters · Germany
T +49 6441 802-0
info@pfeiffer-vacuum.de

www.pfeiffer-vacuum.com

All data subject to change without prior notice.

PFEIFFER  **VACUUM**