



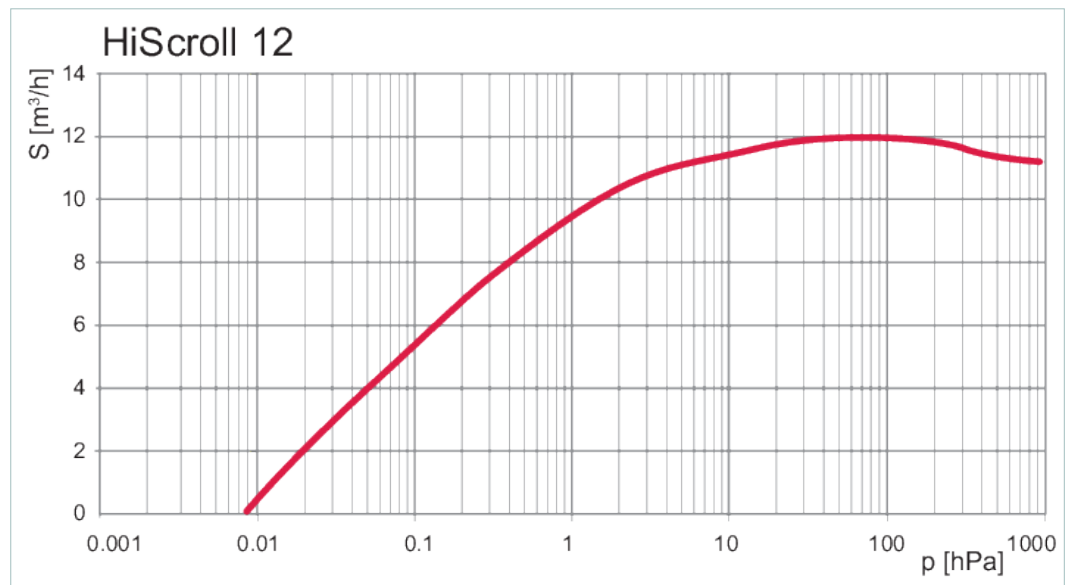
HiScroll 12, Scroll Pump, Standard



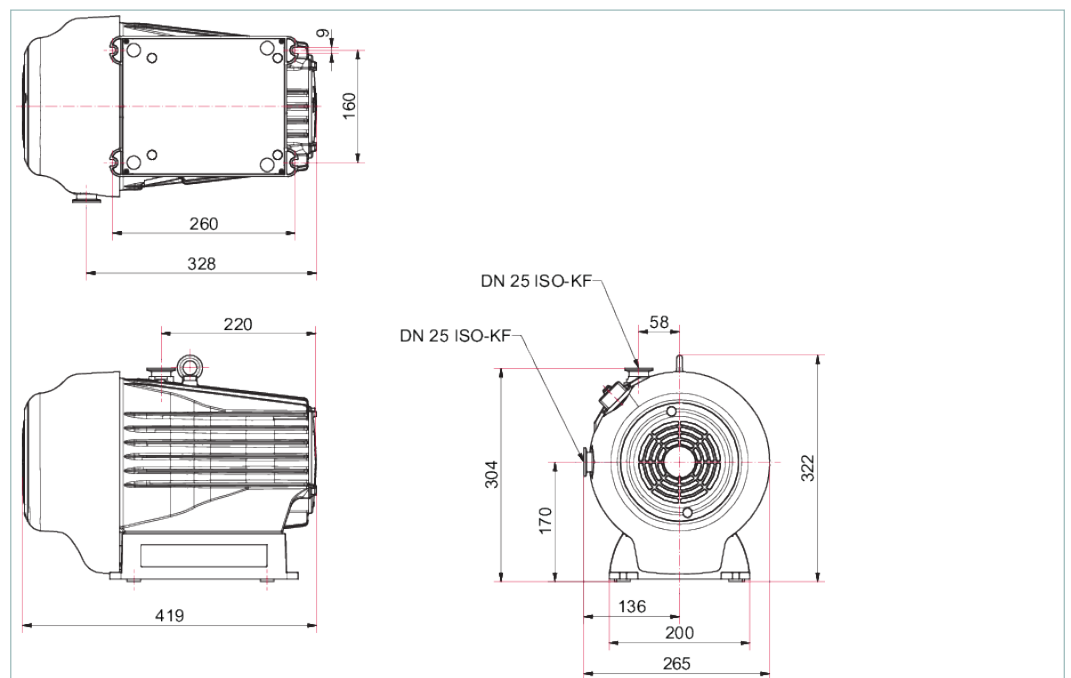
Similar Image

HiScroll 12, Scroll Pump, Standard

- No hydrocarbons: Completely dry & oil-free Scroll vacuum pump
- Low noise level, minimal vibrations and compact design, ideal also for use in laboratories
- Safe operation due to the installed non-return valve and hermetically sealed pumping system
- Low operating costs thanks to the highest quality, short maintenance times and long maintenance intervals
- Power as required: Stable pumping speed and short cycle times
- Sustainable: 15% higher efficiency of the drive system, reduced heat generation and minimum cooling requirements
- Industry 4.0 compatible: Operation with other intelligent products, such as turbopumps via RS-485
- Simple logistics: Our HiScroll pumps are suitable for all voltages worldwide



Dimensions



Technical Data	HiScroll 12, Scroll Pump, Standard
Pumping speed	12.1 m ³ /h 7.12 cfm 201.67 l/min
Final pressure without gas ballast	9 · 10 ⁻³ hPa 6.75 · 10 ⁻³ Torr 9 · 10 ⁻³ mbar
Gas ballast flow stage 1	18 l/min
Gas ballast flow stage 2	30 l/min
Leak rate	5 · 10 ⁻⁷ Pa m ³ /s 3.75 · 10 ⁻⁶ Torr l/s 5 · 10 ⁻⁶ mbar l/s
Intake pressure max.	1,100 hPa 825 Torr 1,100 mbar
Exhaust pressure, max.	1,500 hPa 1,125 Torr 1,500 mbar
Connection flange (in)	DN 25 ISO-KF
Connection flange (out)	DN 25 ISO-KF
I/O interfaces	RS-485
Mains connection	100 — 127 / 200 — 240 V AC (±10 %), 50/60 H z
Rated current consumption	100 V – 127 V: 8 A 200 V – 240 V: 4 A
Rotation speed	624-1,560 rpm 624-1,560 min ⁻¹
Protection category	IP20
Switch	Yes
Ambient temperature	5-40 °C 41-104 °F 278-313 K
Temperature: Storage	-10-50 °C 14-122 °F 263-323 K
Cooling method, standard	Air, forced convection
Emission sound pressure level (EN ISO 2151)	47 dB(A)
Weight	24 kg 52.91 lb
Gas ballast	Yes
Operating altitude, max.	2500 m

Order number	
HiScroll 12	PD S20 000

Accessories	
Adapters (electrical) RS-232/485	
Y-distributor M12 to RS-485	P 4723 010
USB RS-485 converter	PM 061 207 -T
Cables Connection cables	
Adapter RS485 M12	PE 100 150 -X
Cables Mains cables / Power cords	
Mains cable 230 V AC, CEE 7/7 to C13, 3 m	P 4564 309 ZA
Mains cable 115 V AC, NEMA 5-15 to C13, 3 m	P 4564 309 ZL
Cables RS-485 Interface cables	
Interface cable, M12 m straight/M12 m straight, 3 m	PM 061 283 -T
Caps/Clamps Screw-on Caps	
Screw cap for gas ballast valve	PD 100 067
Control Devices Power supplies and control displays	
DCU 002, Display Control Unit	PM 061 348 AT
HPU 001, Handheld Programming Unit	PM 051 510 -T
Flanges/Ports Blank flanges	
Push-in fitting G 1/8" including seal for hose connection (8/6 mm)	P 4131 029 G
Monitoring Pressure Sensors	
RPT 010, Digital Piezo/Pirani sensor	PE 100 183 -X
Protection Dust separators/Inlet particle filters	
SAS 25 S, DN 25 ISO-KF, polyester filter	PK Z60 507

VACUUM SOLUTIONS FROM A SINGLE SOURCE

Pfeiffer Vacuum stands for innovative and custom vacuum solutions worldwide, technological perfection, competent advice and reliable service.

COMPLETE RANGE OF PRODUCTS

From a single component to complex systems:

We are the only supplier of vacuum technology that provides a complete product portfolio.

COMPETENCE IN THEORY AND PRACTICE

Benefit from our know-how and our portfolio of training opportunities!

We support you with your plant layout and provide first-class on-site service worldwide.

Are you looking for a
perfect vacuum solution?
Please contact us:

Pfeiffer Vacuum GmbH
Headquarters · Germany
T +49 6441 802-0
info@pfeiffer-vacuum.de

www.pfeiffer-vacuum.com

All data subject to change without prior notice.

PFEIFFER  **VACUUM**