



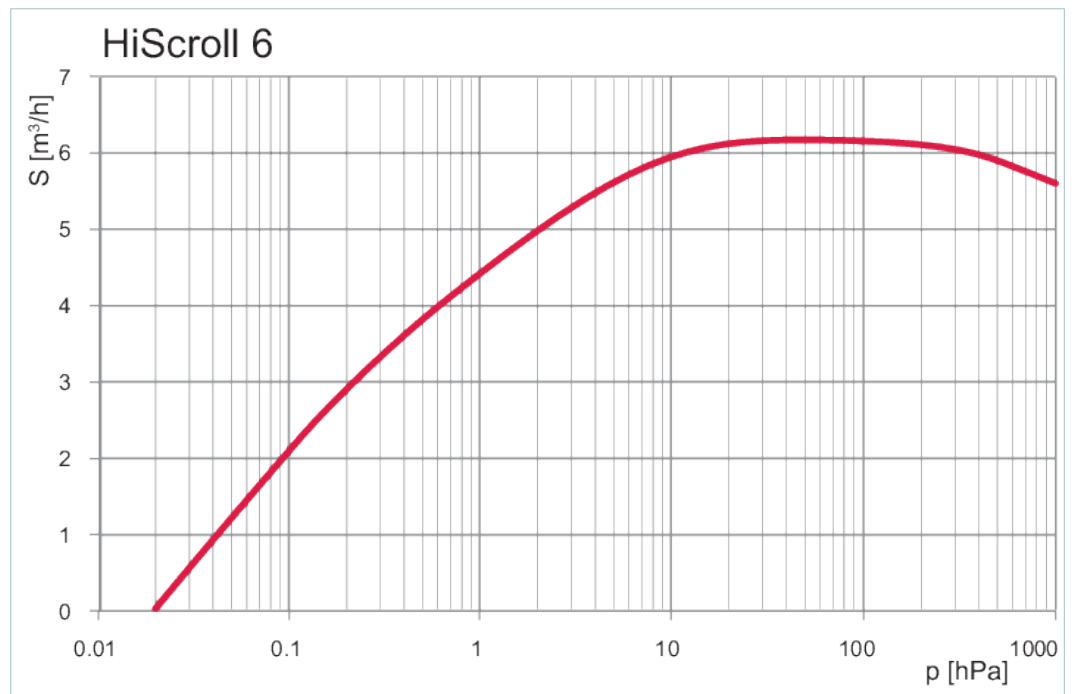
HiScroll 6, Scroll pump, standard, including ATEX



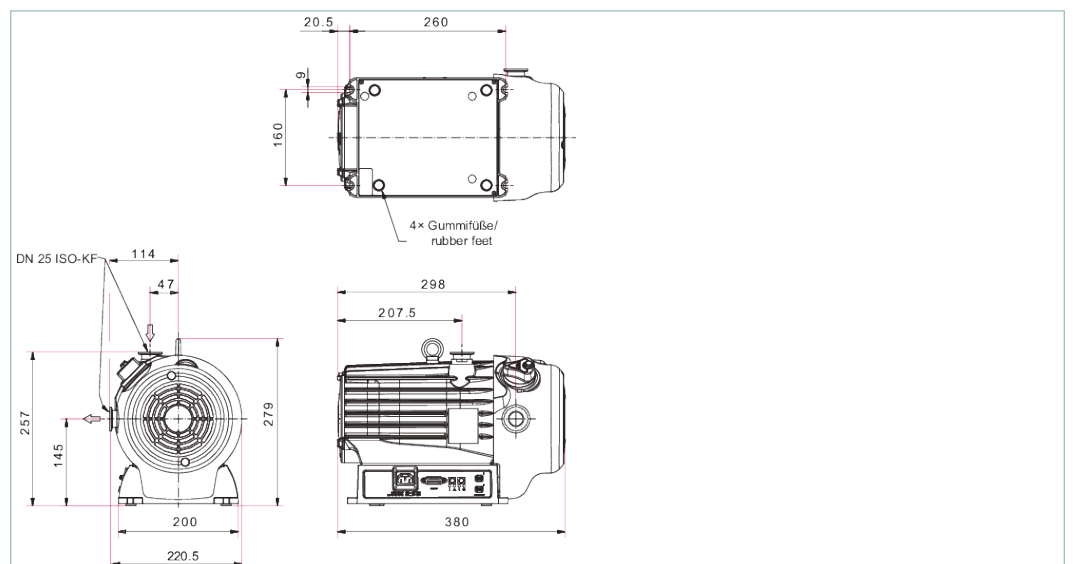
Similar Image

HiScroll 6, Scroll pump, standard, including ATEX

- No hydrocarbons: Completely dry & oil-free Scroll vacuum pump
- Low noise level, minimal vibrations and compact design, ideal also for use in laboratories
- Safe operation due to the installed non-return valve and hermetically sealed pumping system
- Low operating costs thanks to the highest quality, short maintenance times and long maintenance intervals
- Power as required: Stable pumping speed and short cycle times
- Sustainable: 15 % higher efficiency of the drive system, reduced heat generation and minimum cooling requirements
- Intelligent operating modes such as standby mode and interfaces for linking controllers and other Pfeiffer vacuum via RS-485
- Simple logistics: Our HiScroll pumps are suitable for all voltages worldwide



Dimensions



Technical Data	HiScroll 6, Scroll pump, standard, including ATEX
Pumping speed	6.1 m ³ /h 3.59 cfm 101.67 l/min
Ultimate pressure	2 · 10 ⁻² hPa 1.5 · 10 ⁻² Torr 2 · 10 ⁻² mbar
Tested base pressure	5 · 10 ⁻² hPa 3.75 · 10 ⁻² Torr 5 · 10 ⁻² mbar
Ultimate pressure for gas ballast stage 1	7 · 10 ⁻² hPa 5.25 · 10 ⁻² Torr 7 · 10 ⁻² mbar
Ultimate pressure for gas ballast stage 2	4 · 10 ⁻¹ hPa 3 · 10 ⁻¹ Torr 4 · 10 ⁻¹ mbar
Gas ballast flow stage 1	11 l/min
Gas ballast flow stage 2	16 l/min
Leakage rate	5 · 10 ⁻⁷ Pa m ³ /s 3.75 · 10 ⁻⁶ Torr l/s 5 · 10 ⁻⁶ mbar l/s
Intake pressure max.	1,100 hPa 825 Torr 1,100 mbar
Exhaust pressure, max.	1,500 hPa 1,125 Torr 1,500 mbar
Connection flange (in)	DN 25 ISO-KF
Connection flange (out)	DN 25 ISO-KF
I/O interfaces	RS-485
Mains connection	100 – 127/200 – 240 V AC (±10 %), 50/60 Hz
Rated current consumption	100 V – 127 V: 4 A 200 V – 240 V: 2 A
Current, max.	10,0 A
Rotation speed	1,000-3,000 rpm 1,000-3,000 min ⁻¹
Nominal rotation speed	2,500 rpm 2,500 min ⁻¹
Protection degree	IP20
Certification	cTUVus certified according to UL / CSA 61010-1
Switch	Yes
Ambient temperature	5-40 °C 41-104 °F 278-313 K
Temperature: Storage	-10-50 °C 14-122 °F 263-323 K
Temperature: Shipping	-25-55 °C -13-131 °F 248-328 K
Cooling method	Air Forced convection
Emission sound pressure level (EN ISO 2151)	48 dB(A)
Weight	19 kg 41.89 lb
Gas ballast	Yes
Operating altitude, max.	2500 m

Order number	
HiScroll 6	PD S10 000

Accessories	
Adapters (electrical) RS-232/485	
Y-connector M12 for RS-485	P 4723 010
USB RS-485 converter	PM 061 207 -T
Cables Connection cables	
Adapter RS485 M12	PE 100 150 -X
Connection cable HiScroll - HiPace - TC400, 3 m	PM 071 732 -T
Connection cable HiScroll - HiPace - TC110 - TPS, 3m	PM 071 733 -T
Cables Mains cables / Power cords	
Mains cable 230 V AC, CEE 7/7 to C13, 3 m	P 4564 309 ZA
Mains cable 115 V AC, NEMA 5-15 to C13, 3 m	P 4564 309 ZL
Cables RS-485 Interface cables	
Interface cable, M12 m straight / M12 m straight, 3 m	PM 061 283 -T
Connections Connection kits for mounting of pumps	
Connection kit for mounting pumps, DN 25 ISO-KF	120SWS025-1000
Control Devices Power supplies and control displays	
OmniControl 001, rack unit without integrated power supply pack	PE D40 000 0
OmniControl 001 Mobile, control units	PE D22 000 0
Flanges/Ports Blank flanges	
Push-in fitting G 1/8" including seal for hose connection (8/6 mm)	P 4131 029 G
Monitoring Pressure Sensors	
RPT 010, digital Piezo/Pirani sensor	PD 100 100 -T
OmniControl 200 with TPR 270	PT 440 950 -T
Noise Reduction Exhaust silencers	
External silencer ES 25 M, DN 25	PD Z10 000
External silencer ES 25 L, DN 25	PD Z10 001
Other	
PD 100 067 AT	PD 100 067 AT
Protection Dust separators/Inlet particle filters	
SAS 25 S, dust separator, DN 25 ISO-KF	PK Z60 507
Valves Isolation valves	
AVC 025 PA, angle valve, electro-pneumatic, with PI, with PV, PV 24 V DC	PF A48 204

VACUUM SOLUTIONS FROM A SINGLE SOURCE

Pfeiffer Vacuum stands for innovative and custom vacuum solutions worldwide, technological perfection, competent advice and reliable service.

COMPLETE RANGE OF PRODUCTS

From a single component to complex systems:

We are the only supplier of vacuum technology that provides a complete product portfolio.

COMPETENCE IN THEORY AND PRACTICE

Benefit from our know-how and our portfolio of training opportunities!

We support you with your plant layout and provide first-class on-site service worldwide.

Are you looking for a
perfect vacuum solution?
Please contact us:

Pfeiffer Vacuum GmbH
Headquarters · Germany
T +49 6441 802-0
info@pfeiffer-vacuum.de

www.pfeiffer-vacuum.com

All data subject to change without prior notice.

PFEIFFER  **VACUUM**