



TrinosLine high vacuum chamber, horizontal, KHH, DN 320

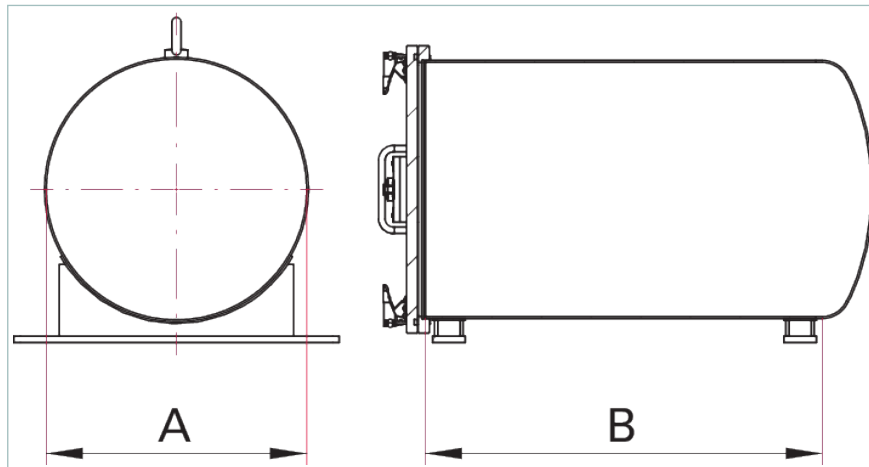


Similar Image

TrinosLine high vacuum chamber, horizontal, KHH, DN 320

- Cylindrical, horizontal body, one side welded dished end
- Stainless steel door with hinges and quick clamps to prestress the FKM-door seal
- Surface: inside and outside glass bead blasted
- Chamber with feet and ring bolts
- Chamber ports available (accessories)

Dimensions



A	320 mm
B	500 mm

Technical Data	TrinosLine high vacuum chamber, horizontal, KHH, DN 320
Material	Chamber body and door made from stainless steel 304 (1.4301)
Nominal diameter	DN 320
Pressure range	$1 \cdot 10^{-7}$ hPa to ambient pressure
Temperature range	-15-150 °C 5-302 °F 258-423 K
Tightness	$< 1 \cdot 10^{-9}$ Pa m ³ /s $< 7.5 \cdot 10^{-9}$ Torr l/s $< 1 \cdot 10^{-8}$ mbar l/s

Order number	
High vacuum chamber	820KHH0320-500

Accessories	
Protection Burst disks	
Burst disk, stainless steel, DN 16 CF	420VBS016-0_5bar
Valves Pressure relief valves	
Pressure relief valve, DN 16 ISO-KF	PF I30 032
Pressure relief valve, DN 40 ISO-KF	120VUS040

VACUUM SOLUTIONS FROM A SINGLE SOURCE

Pfeiffer Vacuum stands for innovative and custom vacuum solutions worldwide, technological perfection, competent advice and reliable service.

COMPLETE RANGE OF PRODUCTS

From a single component to complex systems:

We are the only supplier of vacuum technology that provides a complete product portfolio.

COMPETENCE IN THEORY AND PRACTICE

Benefit from our know-how and our portfolio of training opportunities!

We support you with your plant layout and provide first-class on-site service worldwide.

Are you looking for a
perfect vacuum solution?
Please contact us:

Pfeiffer Vacuum GmbH
Headquarters · Germany
T +49 6441 802-0
info@pfeiffer-vacuum.de

www.pfeiffer-vacuum.com

All data subject to change without prior notice.

PFEIFFER  **VACUUM**