



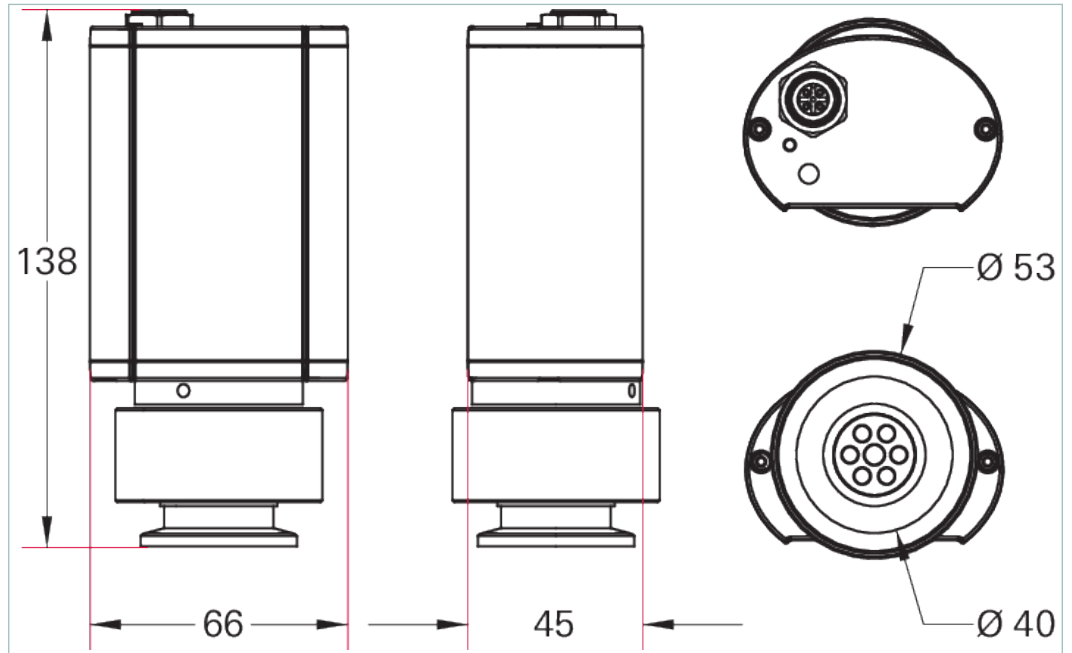
MPT 200 AR, DN 25 ISO-KF, RS-485, analog, display

MPT 200 AR, DN 25 ISO-KF, RS-485, analog, display



- Customizable to vacuum application
- Analog output, set points and display

Dimensions



Similar Image

Technical Data	MPT 200 AR, DN 25 ISO-KF, RS-485, analog, display
Ambient temperature	5-60 °C 41-140 °F 278-333 K
Anode	Mo
Attribute	Cold Cathode sensor can be switched on and of f via interface
Bakeout temperature at the flange	160 °C 320 °F 433 K
Display	LCD, backlit
I/O interfaces	RS-485, analog 0 – 10 V, display
Materials in contact with media	Stainless steel; Tungsten; Nickel; Molybdenum; Glass
Measurement cable length	100 m
Measuring cycle	10 ms
Measuring range	$5 \cdot 10^{-9} - 1 \cdot 10^3$ hPa
Nominal diameter	DN 25 ISO-KF
Precision: $1 \cdot 10^{-8} - 2 \cdot 10^{-3}$ hPa	± 25 %
Precision: 10 – 1000 hPa	± 30 %
Precision: $2 \cdot 10^{-3} - 10$ hPa	± 10 %
Pressure max.	10,000 hPa 7,500 Torr 10,000 mbar
Protection degree	IP54
Relay: Number	2 Pcs.
Relay: Switching voltage	30 V DC / 50 V AC
Repeatability: $1 \cdot 10^{-2} - 10$ hPa	2 %
Repeatability: $1 \cdot 10^{-8} - 1 \cdot 10^{-2}$ hPa	7 %
Seal	Metal
Supply: consumption max.	3.9 W
Supply: Voltage V DC	20 – 30 V DC

Technical Data	MPT 200 AR, DN 25 ISO-KF, RS-485, analog, display
Temperature: Storage	-40-65 °C -40-149 °F 233-338 K
User interface	Display
Weight	555 g

Order number	
MPT 200 AR	PT R45 141

Accessories	
Adapters (electrical) Adapter Measurement	
M12 m, 8-pin plug with screw clamps, DigiLine AR version	PT 348 107 -T
Adapter RS-485, M12, 4-pin - D-sub socket, 9-pin, 0.2 m	PT 348 133 -T
Adapters (electrical) RS-232/485	
Y-connector M12 for RS-485	P 4723 010
USB RS-485 converter	PM 061 207 -T
Coupling M12 for RS-485	PM 061 270 -X
Terminal resistor for RS-485	PT 348 105 -T
Plug M12 m 4-pin with screw clamps for DigiLine RS-485, for customer-specific cables	PT 348 106 -T
Power separator for RS-485	PT 348 132 -T
Cables Analog/relay cables	
Measurement cable DigiLine xPT 200 AR/CCT 3xx AR to TPG 3xx, 3 m	PT 348 250 -T
Cables Connection cables	
Mains power supply DigiLine, M12, 4-pin to TPS, 3 m	PT 348 163 -T
Cables RS-485 Interface cables	
Interface cable, M12 m straight / M12 m straight, 3 m	PM 061 283 -T
Control Devices Power supplies and control displays	
TPS 110, power supply pack for wall/standard rail installation	PM 061 340 -T
TPS 111, power supply pack 19" plug-in unit 3HU	PM 061 344 -T
Protection Inlet filters	
Centering ring with sintered metal filter, 20 µm pore size, FKM/stainless steel, DN 25 ISO-KF	PF 117 225 -T
Software Display & Data logging	
DokuStar Plus software, 16 channels	PT 882 501

VACUUM SOLUTIONS FROM A SINGLE SOURCE

Pfeiffer Vacuum stands for innovative and custom vacuum solutions worldwide, technological perfection, competent advice and reliable service.

COMPLETE RANGE OF PRODUCTS

From a single component to complex systems:

We are the only supplier of vacuum technology that provides a complete product portfolio.

COMPETENCE IN THEORY AND PRACTICE

Benefit from our know-how and our portfolio of training opportunities!

We support you with your plant layout and provide first-class on-site service worldwide.

Are you looking for a
perfect vacuum solution?
Please contact us:

Pfeiffer Vacuum GmbH
Headquarters · Germany
T +49 6441 802-0
info@pfeiffer-vacuum.de

www.pfeiffer-vacuum.com

All data subject to change without prior notice.

PFEIFFER  **VACUUM**