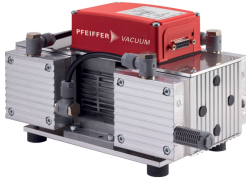


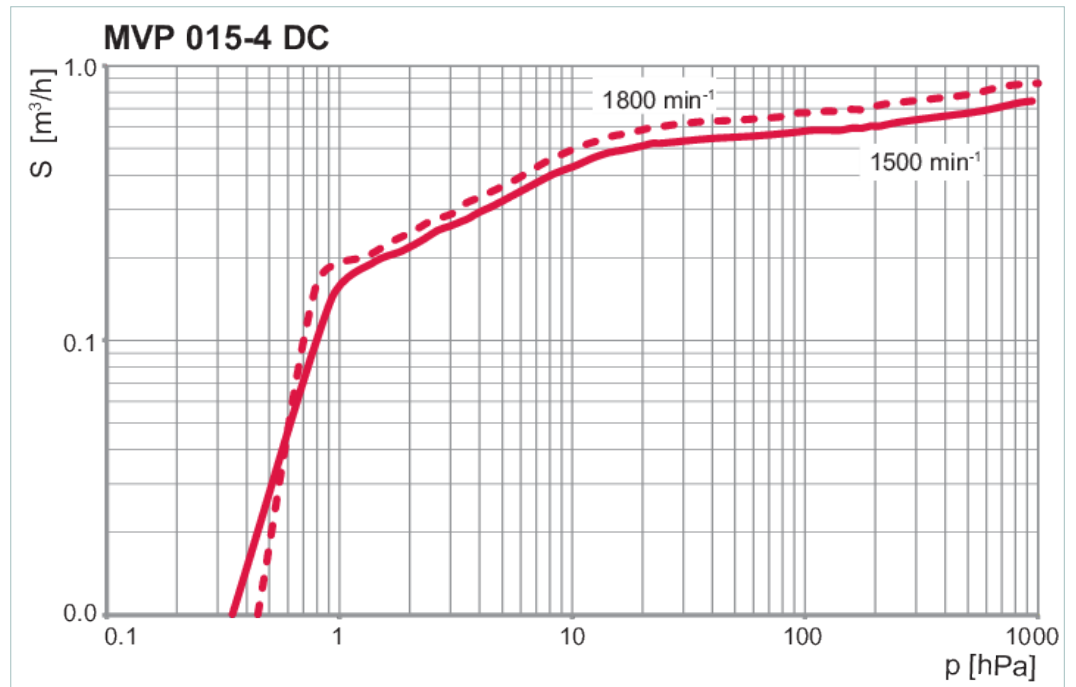
MVP 015-4 DC, diaphragm pump, 24 V DC



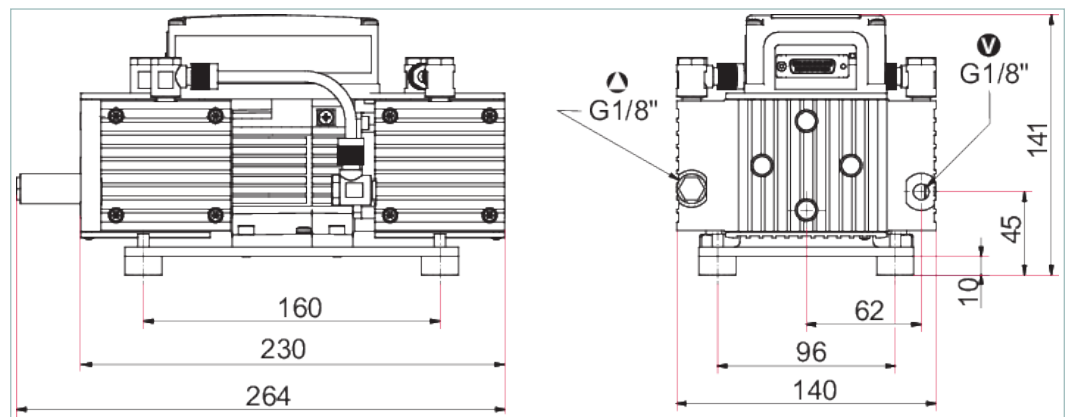
Similar Image

MVP 015-4 DC, diaphragm pump, 24 V DC

- Diaphragm pump with a pumping speed of up to 0.8 m³/h
- No hydrocarbons: Completely dry & oil-free diaphragm pump
- Low noise level, low vibrations and compact design, also ideal for use in laboratories
- Low operating costs thanks to the highest quality, short maintenance times and long maintenance intervals
- Industry 4.0 compatible: Operation with other intelligent products, such as turbopumps via RS-485



Dimensions



Technical Data	MVP 015-4 DC, diaphragm pump, 24 V DC
Pumping speed	0.8 m ³ /h 0.47 cfm 13.33 l/min
Final pressure without gas ballast	5 · 10 ⁻¹ hPa 3.75 · 10 ⁻¹ Torr 5 · 10 ⁻¹ mbar
Leakage rate	5 · 10 ⁻⁴ Pa m ³ /s 3.75 · 10 ⁻³ Torr l/s 5 · 10 ⁻³ mbar l/s
Intake pressure max.	1,100 hPa 825 Torr 1,100 mbar
Exhaust pressure, max.	1,100 hPa 825 Torr 1,100 mbar
Connection flange (in)	G 1/8"

Technical Data	MVP 015-4 DC, diaphragm pump, 24 V DC
Connection flange (out)	1/8" thread with silencer
I/O interfaces	RS-485
Supply: Voltage V DC	24 V DC
Current, max.	6.8 A
Rotation speed	540-1,800 rpm 540-1,800 min ⁻¹
Nominal rotation speed	1,500 rpm 1,500 min ⁻¹
Protection degree	IP20
Switch	No
Sound pressure level	45 dB(A)
Ambient temperature	5-40 °C 41-104 °F 278-313 K
Temperature: Storage	5-40 °C 41-104 °F 278-313 K
Temperature: Shipping	-10-60 °C 14-140 °F 263-333 K
Cooling method	Convection cooled
Weight	4.4 kg 9.7 lb
Gas ballast	No
Operating altitude, max.	2000 m

Order number	
MVP 015-4 DC	PK T05 160

Accessories	
Adapters (electrical) RS-232/485	
Y-connector M12 for RS-485	P 4723 010
USB RS-485 converter	PM 061 207 -T
Cables Backing pump control cables	
Connection cable MVP-TC-TPS, 3 m	PE 100 013 -T
Cables Connection cables	
Connecting cable from 24V/48V power supply pack to electronic drive unit. With RS-485 interface	PM 061 350 -T
Connection cable for HiPace with TC 110/120	PM 061 543 -T
Cables RS-485 Interface cables	
Interface cable, M12 m straight / M12 m straight, 3 m	PM 061 283 -T
Connections Adapters Turbopump to Backing Pump	
P 0920 739 E	P 0920 739 E
Hose connection DN 6 x 1000 mm with straight connector 1/8" thread and 1/4" thread including seal	P 0920 817 E
Hose DN 6; (ø 8/6 mm) polyethylene	P 0991 939
Push-in T-fitting 1/8" thread including seal for hose connection (8/6 mm)	P 4131 030 E
Connections Screw-in flanges	
Screwing flange DN 16 ISO-KF / 1/8" thread incl. seal	PK 050 108 -T
Control Devices Power supplies and control displays	
TPS 111, power supply pack 19" plug-in unit 3HU	PM 061 344 -T
TPS 180, power supply pack for wall/standard rail installation	PM 061 341 -T

VACUUM SOLUTIONS FROM A SINGLE SOURCE

Pfeiffer Vacuum stands for innovative and custom vacuum solutions worldwide, technological perfection, competent advice and reliable service.

COMPLETE RANGE OF PRODUCTS

From a single component to complex systems:

We are the only supplier of vacuum technology that provides a complete product portfolio.

COMPETENCE IN THEORY AND PRACTICE

Benefit from our know-how and our portfolio of training opportunities!

We support you with your plant layout and provide first-class on-site service worldwide.

Are you looking for a
perfect vacuum solution?
Please contact us:

Pfeiffer Vacuum GmbH
Headquarters · Germany
T +49 6441 802-0
info@pfeiffer-vacuum.de

www.pfeiffer-vacuum.com

All data subject to change without prior notice.

PFEIFFER  **VACUUM**