



**DVI 005 M, Mini-inline-valve,
solenoid actuated, without PI,
n.c.**

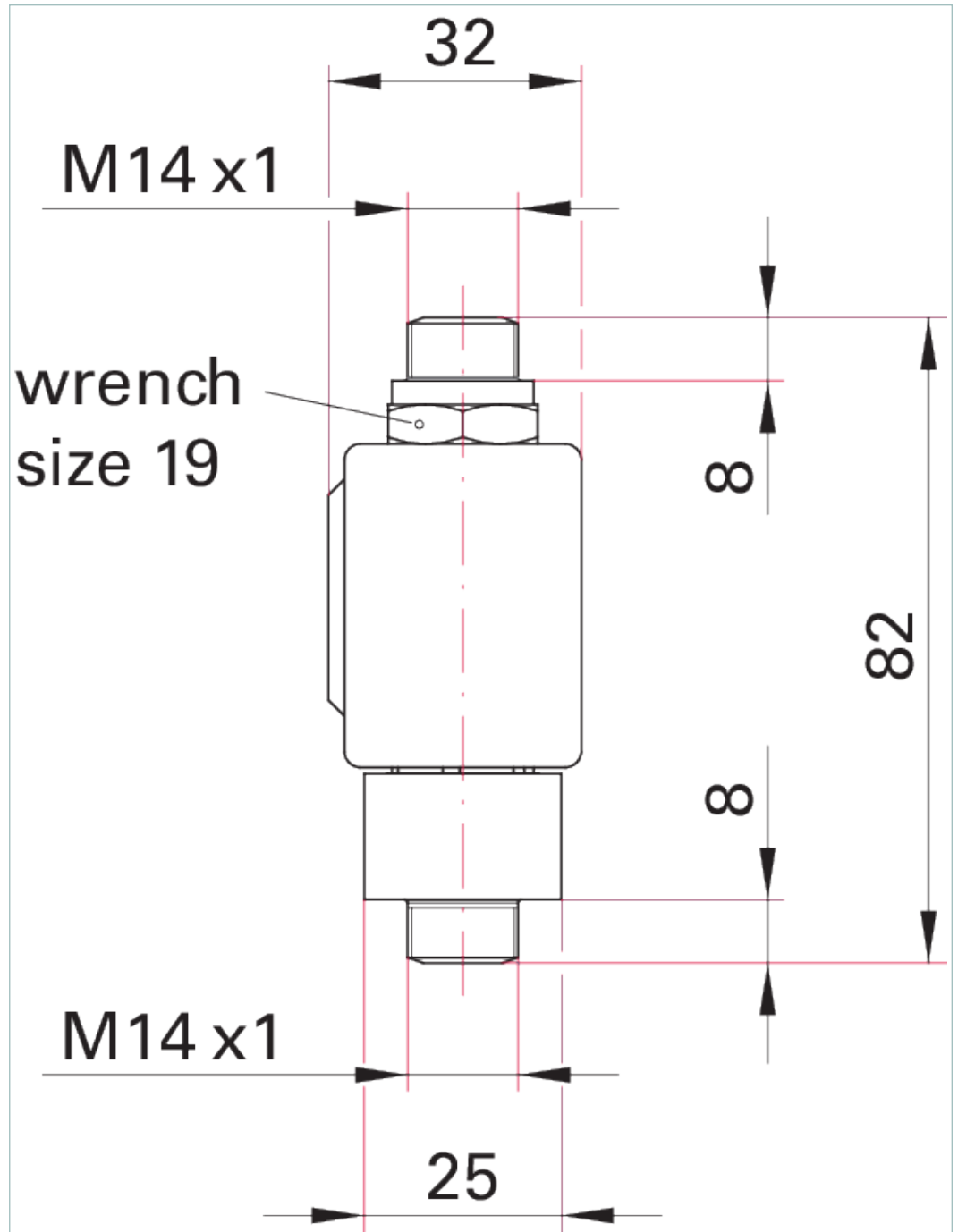


Similar Image

DVI 005 M, Mini-inline-valve, solenoid actuated, without PI, n.c.

- Two connections required as accessories
- Service life: 2 million operating cycles
- Variants: DVI 005 M = normally closed (n.c.); DVI 205 M = normally open (n.o.)

Dimensions



Technical Data	DVI 005 M, Mini-inline-valve, solenoid actuated, without PI, n.c.
Actuator	Electro-pneumatic
Ambient temperature	5-40 °C 41-104 °F 278-313 K
Bakeout temperature: actuator	120 °C 248 °F 393 K
Bakeout temperature: housing	150 °C 302 °F 423 K
Closing/opening time	7 ms/30 ms
Conductance value with laminar flow	2 l/s
Conductance value with molecular flow	0.2 l/s
Differential pressure in closing direction	5,000 hPa 3,750 Torr 5,000 mbar
Differential pressure in opening direction	1,500 hPa 1,125 Torr 1,500 mbar
Housing	Stainless steel
Nominal diameter	DN 5 mm M14x1
Opens against differential pressure of	1,000 hPa 750 Torr 1,000 mbar
Operating pressure min.	$1 \cdot 10^{-8}$ hPa $7.5 \cdot 10^{-9}$ Torr $1 \cdot 10^{-8}$ mbar
Pressure max. (absolute)	1,000 hPa 750 Torr 1,000 mbar
Protection degree acc. to DIN 40050	IP65
Seal	FKM
Service life	2000000 cycles
Supply	24 V DC
Supply: consumption max.	10 W
Switching frequency	300 min ⁻¹
Tightness	$1 \cdot 10^{-10}$ Pa m ³ /s $7.5 \cdot 10^{-10}$ Torr l/s $1 \cdot 10^{-9}$ mbar l/s
Type	Mini inline valve
Version	Normally closed
Weight	300 g

Order number	
DVI 005 M	PF H13 232

Accessories	
Connections Valve Connections	
Connection, DN 10 ISO-KF	PT 420 912-T
Connection, for ¼" tube OD	PT 420 913-T
Connection, for 6 mm tube OD	PT 420 914-T

VACUUM SOLUTIONS FROM A SINGLE SOURCE

Pfeiffer Vacuum stands for innovative and custom vacuum solutions worldwide, technological perfection, competent advice and reliable service.

COMPLETE RANGE OF PRODUCTS

From a single component to complex systems:

We are the only supplier of vacuum technology that provides a complete product portfolio.

COMPETENCE IN THEORY AND PRACTICE

Benefit from our know-how and our portfolio of training opportunities!

We support you with your plant layout and provide first-class on-site service worldwide.

Are you looking for a
perfect vacuum solution?
Please contact us:

Pfeiffer Vacuum GmbH
Headquarters · Germany
T +49 6441 802-0
info@pfeiffer-vacuum.de

www.pfeiffer-vacuum.com

All data subject to change without prior notice.

PFEIFFER  **VACUUM**