

Pump Used with Corrosive and Oxidizing Gases

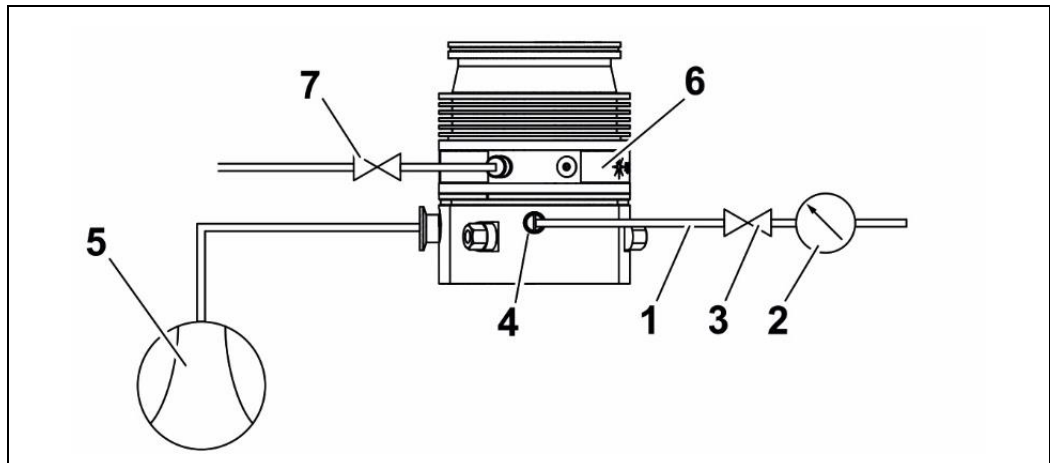


Figure 40 Purge layout

- 1 Purge gas line
- 2 Pressure regulator
- 3 Gas purge valve
- 4 Gas purge port
- 5 Forevacuum pump
- 6 Turbopump
- 7 Vent valve

Purge Valve Installation

A gas purge valve is available to protect the pump bearings against particulate and corrosive gases that could move into the pump. To install the gas purge valve, it is necessary to switch off the pump and unscrew the purge port cover as shown in the following figure.

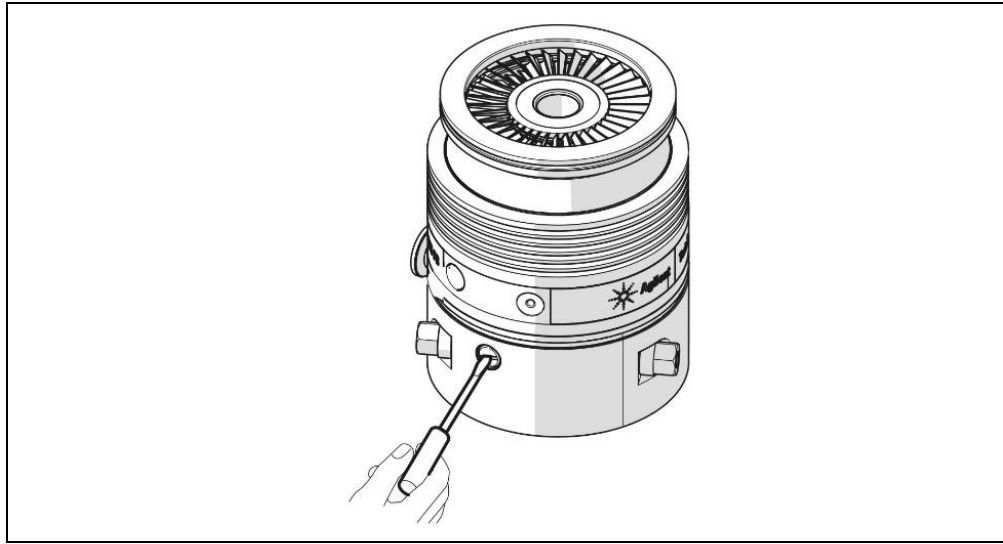


Figure 41

and then screw the gas purge valve (with a torque of 2.5 Nm) as shown in the following figure.

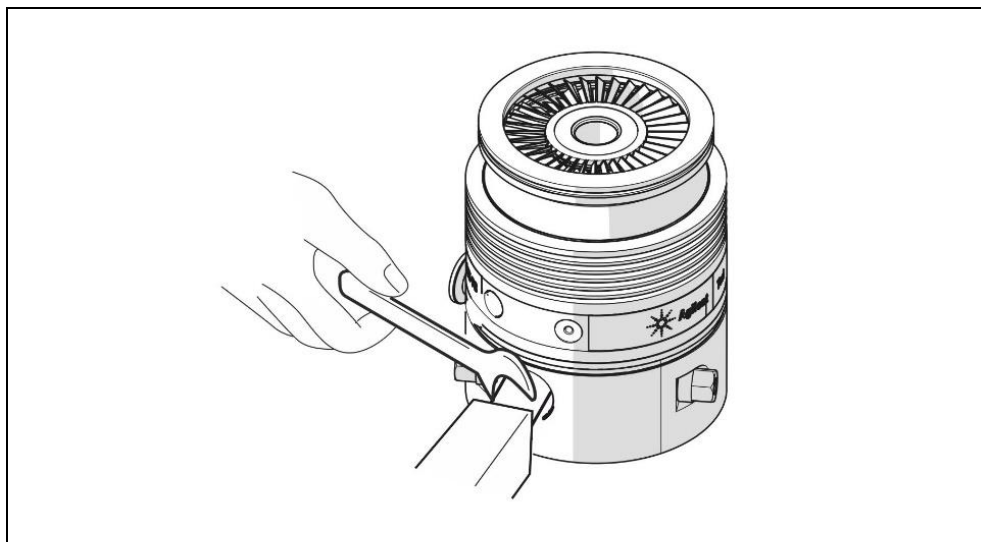


Figure 42