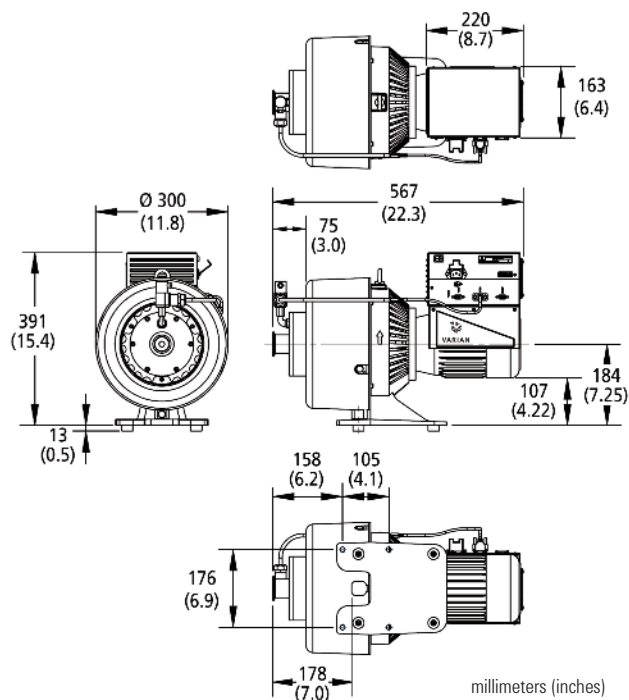


Agilent TriScroll-800 Dry Vacuum Pump

Data Sheet



Applications

- Steady and high gas load applications
- LC/MS and TOFMS where high pumping speeds are required

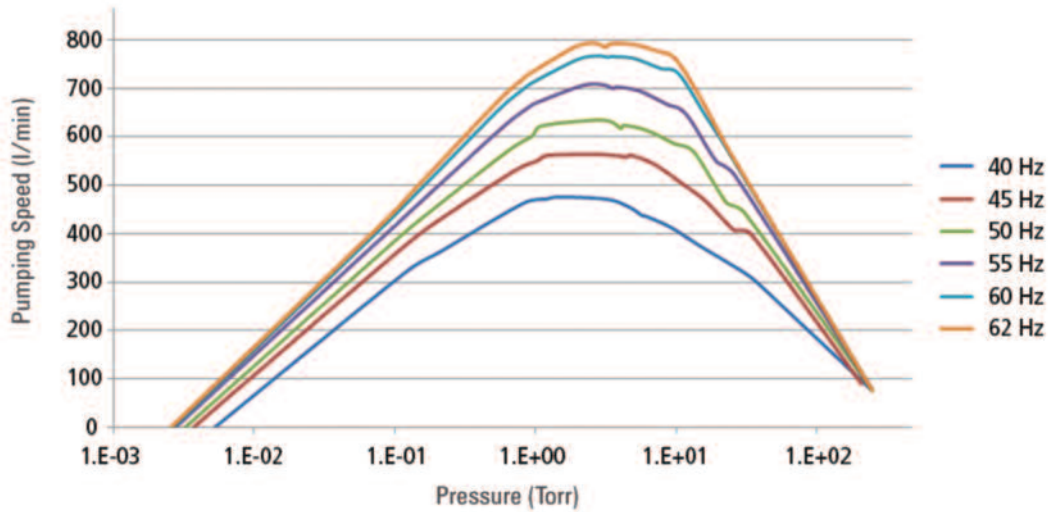
Agilent TriScroll Inverter Pumps add the benefits of frequency inverter technology to the high performance of Agilent TriScroll dry primary vacuum pumps. TriScroll pumps eliminate the frequent maintenance of oil-sealed rotary vane pumps, simplifying regulatory and environmental compliance, and eliminating oil disposal costs. The unique, patented TriScroll features proven reliability and durability, delivering consistent performance and superior cost of ownership.

Features	Benefits
Integrated inlet valve	Integrated design offers the same features and benefits as the Agilent Vacuum Pump Isolation Valve without affecting the pump's overall dimensions
Solid tip seal	Maintains long life and low power
Universal input voltage consumption	Provides worldwide compatibility and constant performance at different input frequencies
I/O and RS232/RS485 communication	Adjustable pumping speed from 40 Hz to 62 Hz easily integrates and reduces noise levels
Remote diagnostics	Remote power monitoring reduces maintenance cost, improves uptime while maintaining a high degree of reliability



TriScroll 800 – Dry Vacuum Pump

Speed Curve



Technical Specifications

Pumping speed @ 60 Hz	760 l/m, 48 m ³ /hr, 28.3 cfm (at 60 Hz drive frequency, variable)
Ultimate pressure	<1.3 x 10 ⁻¹ mbar (1.0 x 10 ⁻¹ Torr)
Maximum inlet pressure	1.0 atmosphere (0 psig) transient, 100 Torr steady state
Maximum outlet pressure	1.1 atmosphere (1.5 psig)
Inlet connection	NW40
Exhaust connection	¾" Female NPT with swivel (NW25 adapter provided)
Exhaust connection adapter	NW 25 KF adapter provided
Gas ballast	¼" Female NPT (shipped with port plug installed)
Operating voltages	200-240V, 1Ø, 50/60Hz
Maximum line current	200V; 6 A 240V; 5 A
Weight – pump only	32 kg (71 lbs)
Compliance	CE, CSA/CUS

Ordering Information

Description	Part Number
TriScroll 800 Dry Vacuum Pump, 1Ø motor	PTS08001INV
Power Cord Selection	
Europe, 10 A, 220-230 VAC, 2.5 meter	656494220
Denmark, 10 A, 220-230 VAC, 2.5 meter	656494225
Switzerland, 10 A, 230 VAC, 2.5 meter	656494235
UK/Ireland, 13 A, 230 VAC, 2.5 meter	656494250
India, 10 A, 220-250 VAC, 2.5 meter	656494245
Israel, 10 A, 230 VAC, 2.5 meter	656494230
Japan, 12 A, 100 VAC, 2.3 meter	656494240
North America, 10 A, 230 VAC, 2.5 meter	656494255

United States
 Agilent Technologies
 121 Hartwell Avenue
 Lexington, MA 02421 USA
 Toll Free 1 (800) 882 7426

Europe
 Agilent Technologies
 Via F.lli Varian 54
 10040 Leini, (Torino) Italy
 Toll Free 00 800 234 234 00