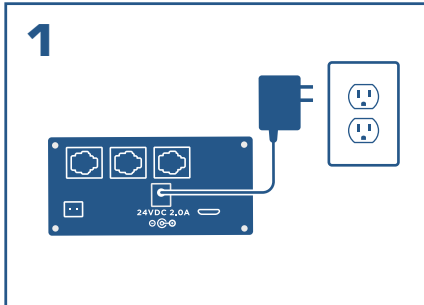
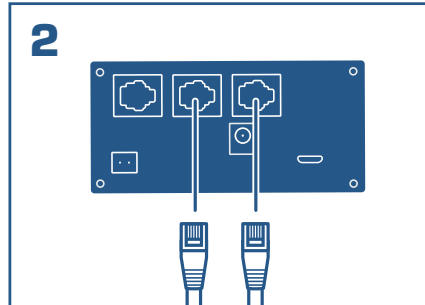


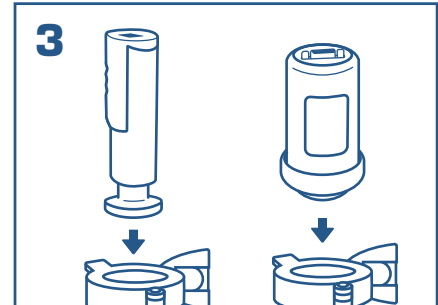
Quick Start Guide StrataVac



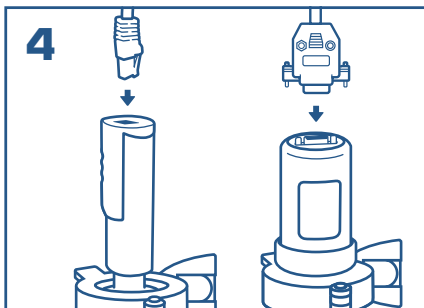
1
Connect power supply to unit, then connect to power supply to wall. Verify that StrataVac powers on.



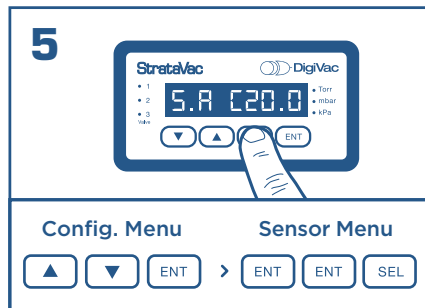
2
Connect the sensor cables to the StrataVac.



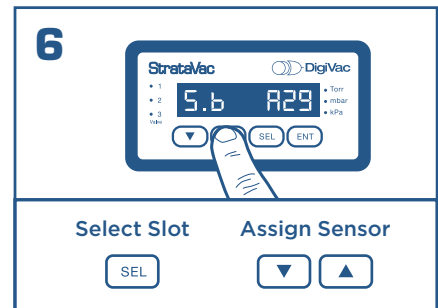
3
Plumb the sensors into your vacuum systems.



4
Connect your sensor cables to the sensors.



5
To assign the sensor type to the corresponding slot, enter the configuration menu (UP, DOWN, ENT). Then navigate to the sensor selection menu (ENT, ENT, SEL).



6
From sensor selection menu, use "SEL" to switch between slots. Then use the arrows to navigate to the appropriate sensor type for the slot

CONFIGURATION MENU



RETURN TO MAIN SCREEN



TO SWITCH SENSORS



| | | |
|--------|---|-------|
| SLOT 1 | - | 12.45 |
| SLOT 2 | - | 1.23 |
| SLOT 3 | - | .345 |