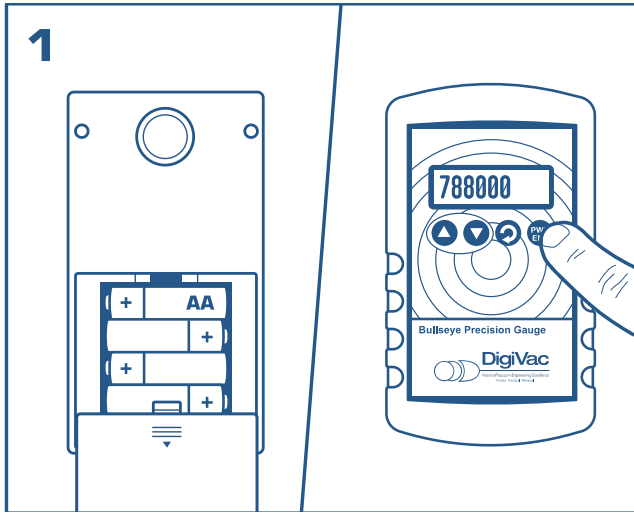
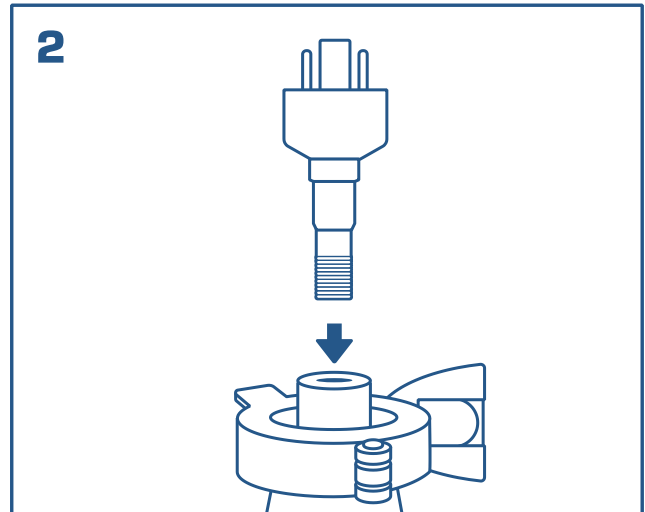


Quick Start Guide

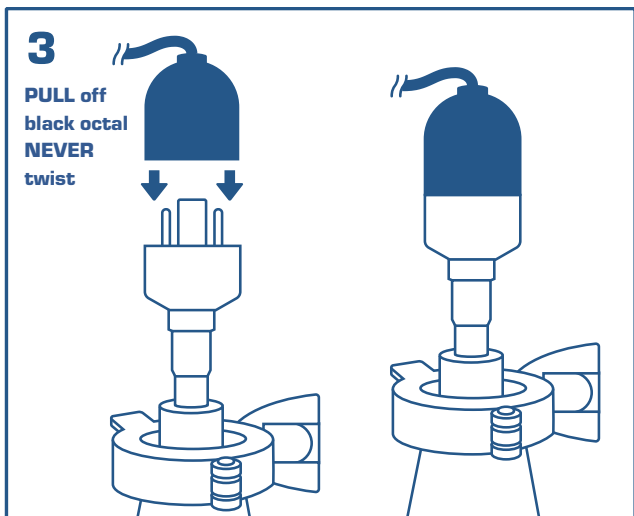
**BULLSEYE
PRECISION
GAUGE**



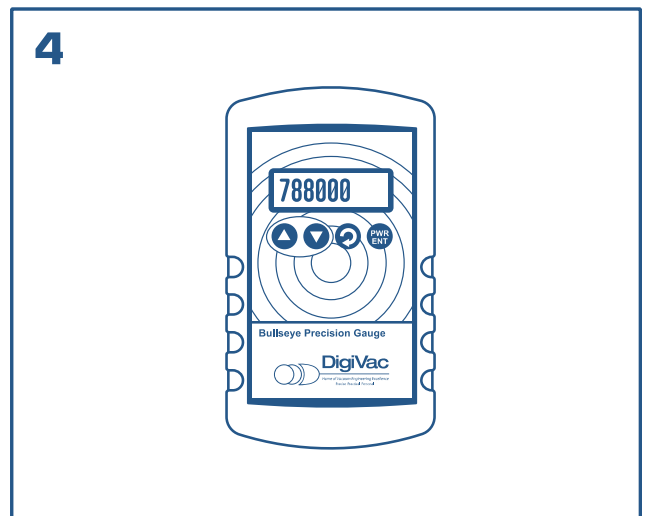
1
Install batteries, press power button and verify that the display lights up



2
Plumb the thermocouple gauge into your vacuum system



3
Connect the octal end of the sensor cable to the vacuum sensor



4
Verify that the readings make sense