

KJLC[®] ACG Series Capacitance Diaphragm High Accuracy Vacuum Gauge



Kurt J. Lesker[®]
Company
VACUUM MART[™]
DIVISION

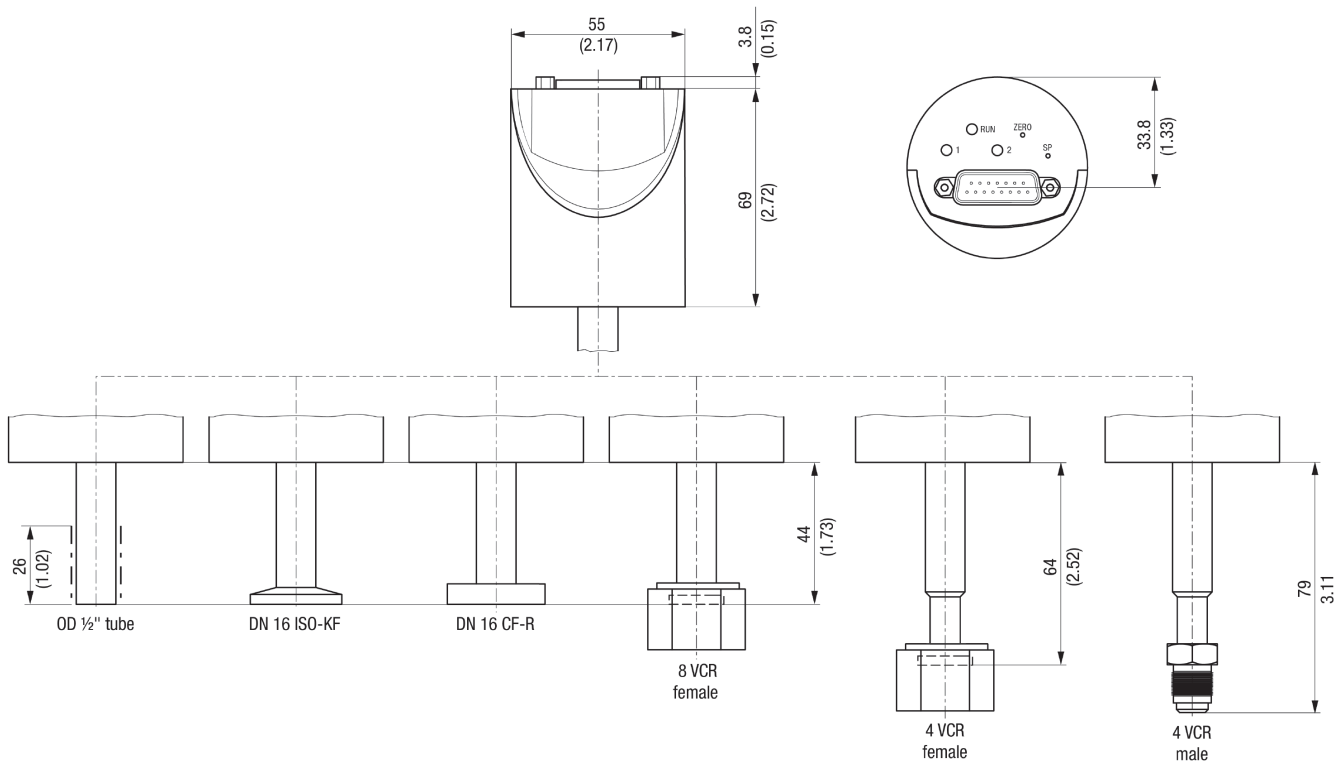
Applications

- Semiconductor Manufacturing
 - Etch
 - CVD
 - PVD
 - ALD
- Data storage and display manufacturing equipment
- Industrial vacuum equipment
- General high accuracy pressure measurement

Features

- Full scale ranges from 100 mTorr to 1000 Torr
- Fast stability after power on
- Fast recovery from atmospheric pressure
- Corrosion resistant ceramic sensor
- Excellent long term signal stability
- Temperature compensated
- Sensor double protected from contamination
- One pushbutton zero function
- Wide range power supply
- 2 setpoints
- RS232 interface
- Clean room compliant

www.lesker.com



Dimensions Approximate

Specifications (ACG 25° Ambient)

Measurement Range	0.01% of Full Scale (F.S.)
Accuracy (% of Measurement)	1000 Torr/1100 mbar to 1 torr F.S.: 0.2% 0.25 Torr F.S.: 0.25% 0.1 Torr/mbar F.S.: 0.5%
Temperature (Operating)	+10 to +150°F (+5 to + 50°C)
Temperature (Storage)	-40 to 158°F (-40 to + 65°C)
Temperature (Bakeout)	≤230°F (≤110°C)
Materials Exposed to Vacuum	Aluminum oxide ceramic (Al ₂ O ₃), Stainless steel (AISI 316L)
Set-Point Relays	2 (SP1, SP2)
Relay Response	30 V (DC)
Internal Volume	3.6 cm ³ (0.22 in ³)
Input Power	+14 to +30 V (DC), ≤ 1 W
Connections	FCC68/RJ45, 8-pin, Female
Compliance & Standards	CE, EN, UL, SEMI, RoHS
Weight	1/2" Tube: 0.68 lbs. (0.31 kg.) DN16 ISO-KF: 0.73 lbs. (0.33 kg.) DN16 CF-R: 0.77 lbs. (0.35 kg.) 8 VCR®: 0.82 lbs. (0.37 kg.)

Kurt J. Lesker Company (KJLC) specifications and/or test data may not be copied, reproduced or referenced without express written permission of KJLC.

Kurt J. Lesker® Company Enabling Technology for a Better World | www.lesker.com

Kurt J. Lesker Company
United States - salesus@lesker.com
412.387.9200
800.245.1656

Kurt J. Lesker Canada Inc.
Canada - salescan@lesker.com
416.588.2610
800.465.2476

Kurt J. Lesker Company Ltd.
EMEIA - EMEIASales@lesker.com
+44 (0) 1424 458100

Kurt.Lesker (Shanghai) Trading Company
科特·莱思科(上海)商贸有限公司
Asia - salesasia@lesker.com
+86 21 50115900