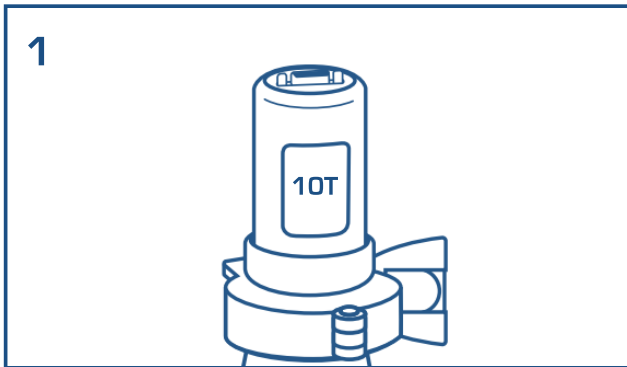
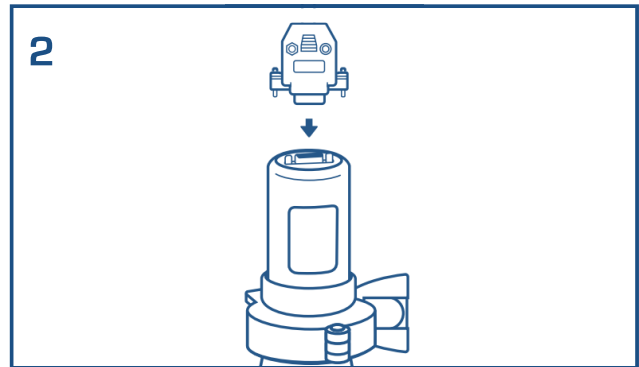


Quick Start Guide

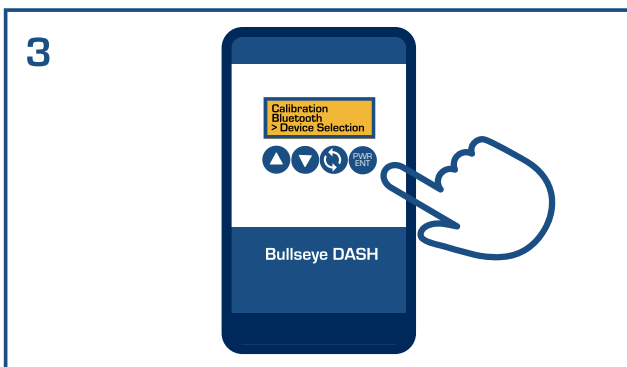
Bullseye DASH



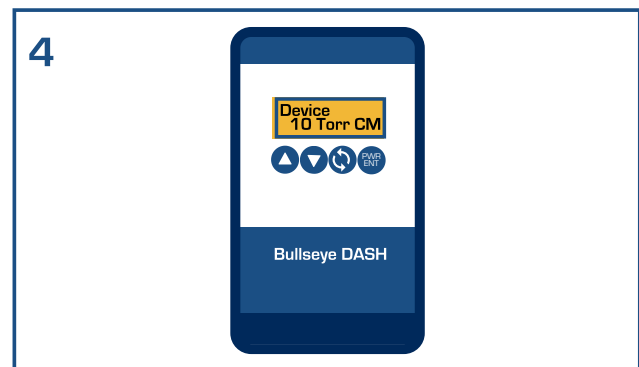
Determine the range of manometer



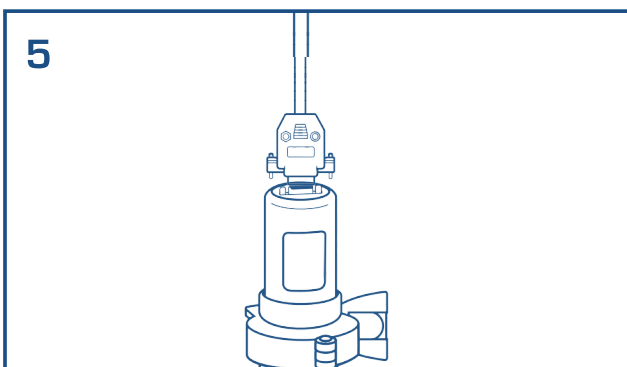
Attach provided adapter to manometer



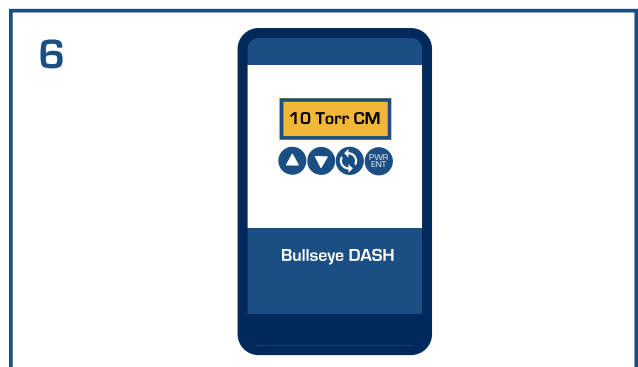
Go to menu > device selection



Select the correct manometer



Take the RJ45 cable coming off the DASH and plug it into the adapter



You are now ready to use your Dash